



BoxMilano



materiali riciclabili
recyclable materials



qualità
quality



resistenza
endurance



leggerezza
lightness

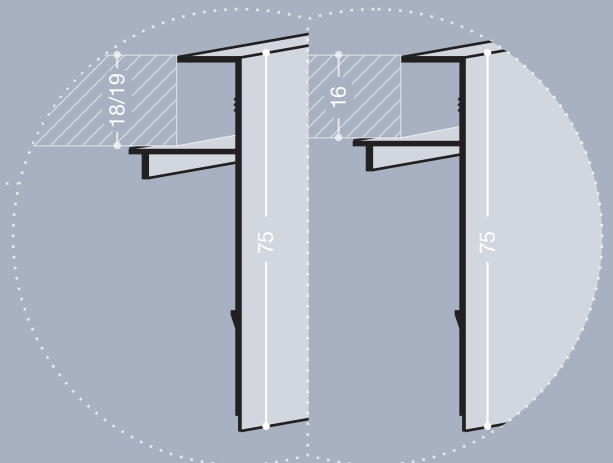
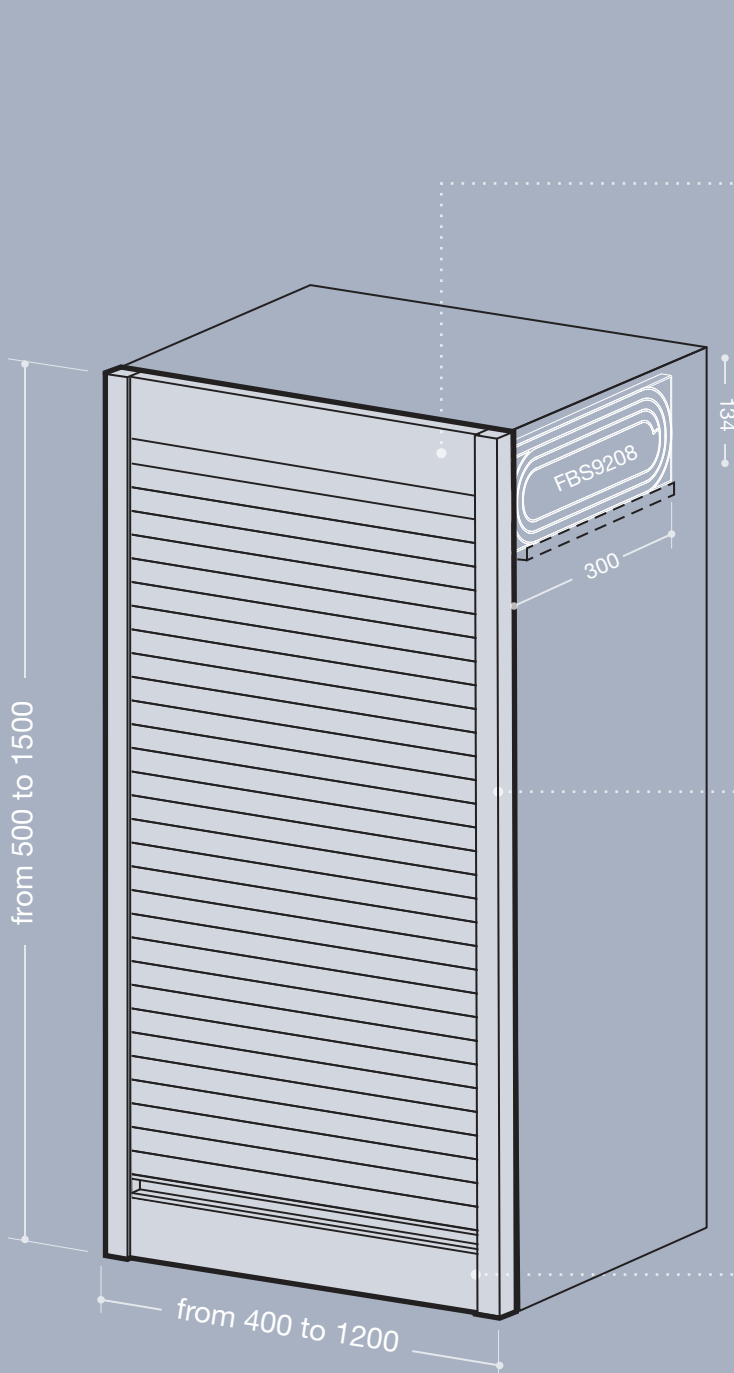


installazione rapida
fast installation

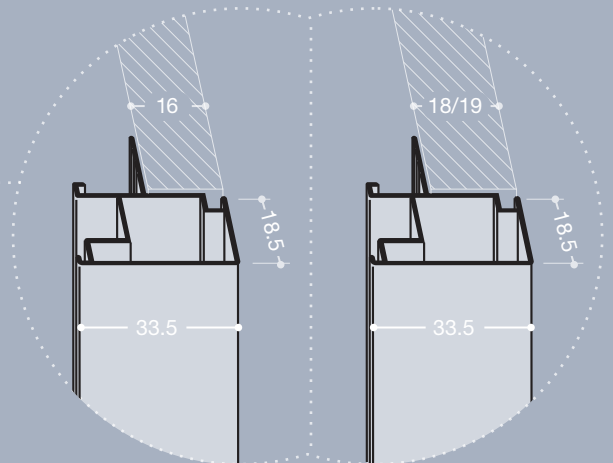
*Sistema di serrandine 100% alluminio fornito in kit pre-assemblato con compensatore di peso pre-caricato.
Disponibile in un ampio range di misure e accessori.
100% aluminium tambour door system supplied in pre-assembled kit with pre-charged weight compensator.
Available in a wide range of dimensions and accessories.*

BOXMILANO

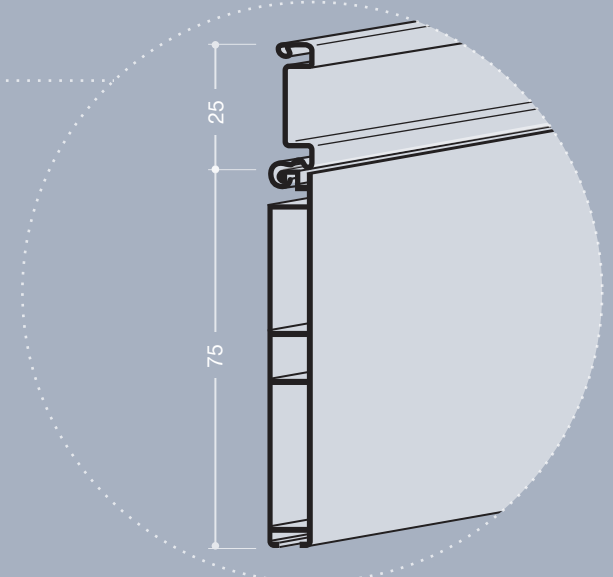
BM1 | BoxMilano Standard



PROFILO TOP / TOP PROFILE
cod. FBS7518 (pannelli da 18 - 19 mm)
cod. FBS7515 (pannelli da 16 mm)



PROFILO GUIDA / GUIDE PROFILE
cod. FBS7519 (pannelli da 18 - 19 mm)
cod. FBS7516 (pannelli da 16 mm)

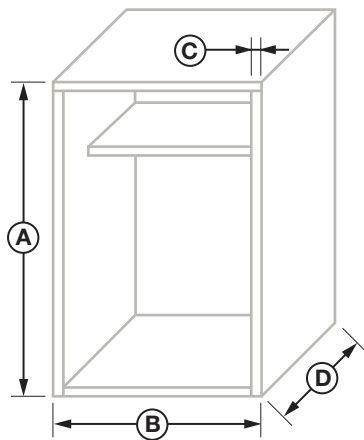


PROFILO CON MANIGLIA / PROFILE WITH HANDLE
cod. FBS7512 + FBS2010 (handle)

misure in mm - dimensions in mm

SPESSORE PANNELLO BOARD THICKNESS	16 / 18 / 19 mm
INGOMBRO INTERNO PISTA INTERNAL COILER DIMENSIONS	300 x 134 mm
ARRETRAMENTO RIPIANI SHELVES SETBACK	50 mm

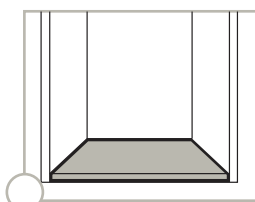
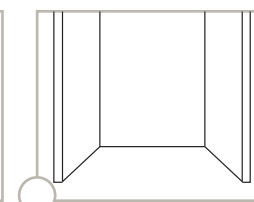
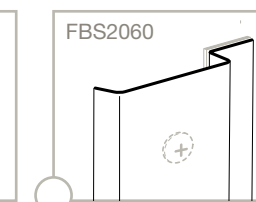
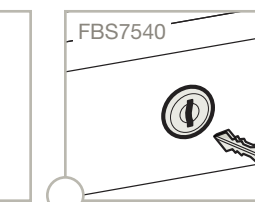
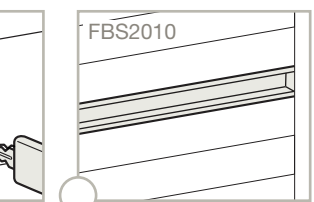

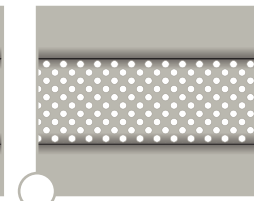

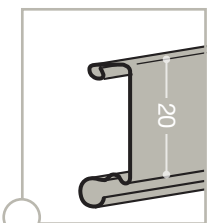
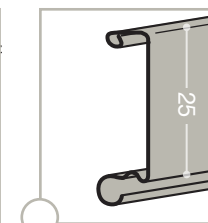
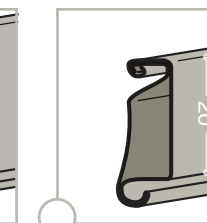
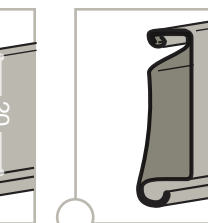

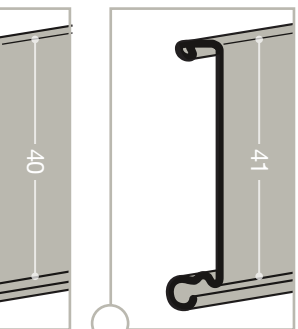
Compilare il presente modulo in tutte le sue parti per una corretta registrazione del vostro ordine.
Fill in this sheet in full for a correct processing of your order



Misure mobile / Cabinet dimensions

A	B	C	D	QUANTITÀ QUANTITY

Varianti / Options

 box con base box with basement	 box senza base box without basement	 FBS2060 profilo copriviti screw cover profile	 FBS7540 serratura lock	 FBS2010 maniglia intermedia intermediate handle	
 standard	 wind mix	 wind			
 FBS2020	 FBS2125	 FBS2000 rinforzato reinforced	 FBS2025 rinforzato reinforced	 FBS2140	 FBS2141 rinforzato reinforced

Finitura / Finishing

ANODIZZATI / ANODIZED

- A - brushed
- A2 - inox brushed
- B - mill finish
- B2 - mill inox
- BR2 - matt bronze
- SN - sat nat

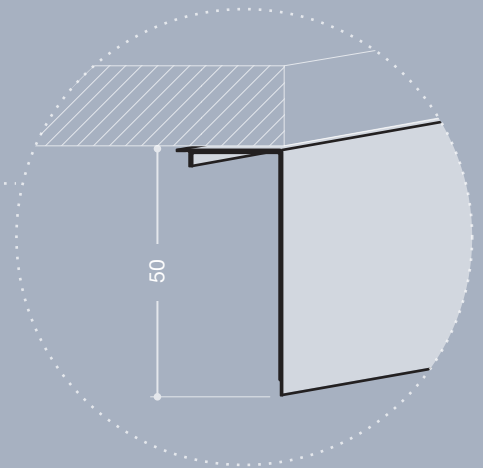
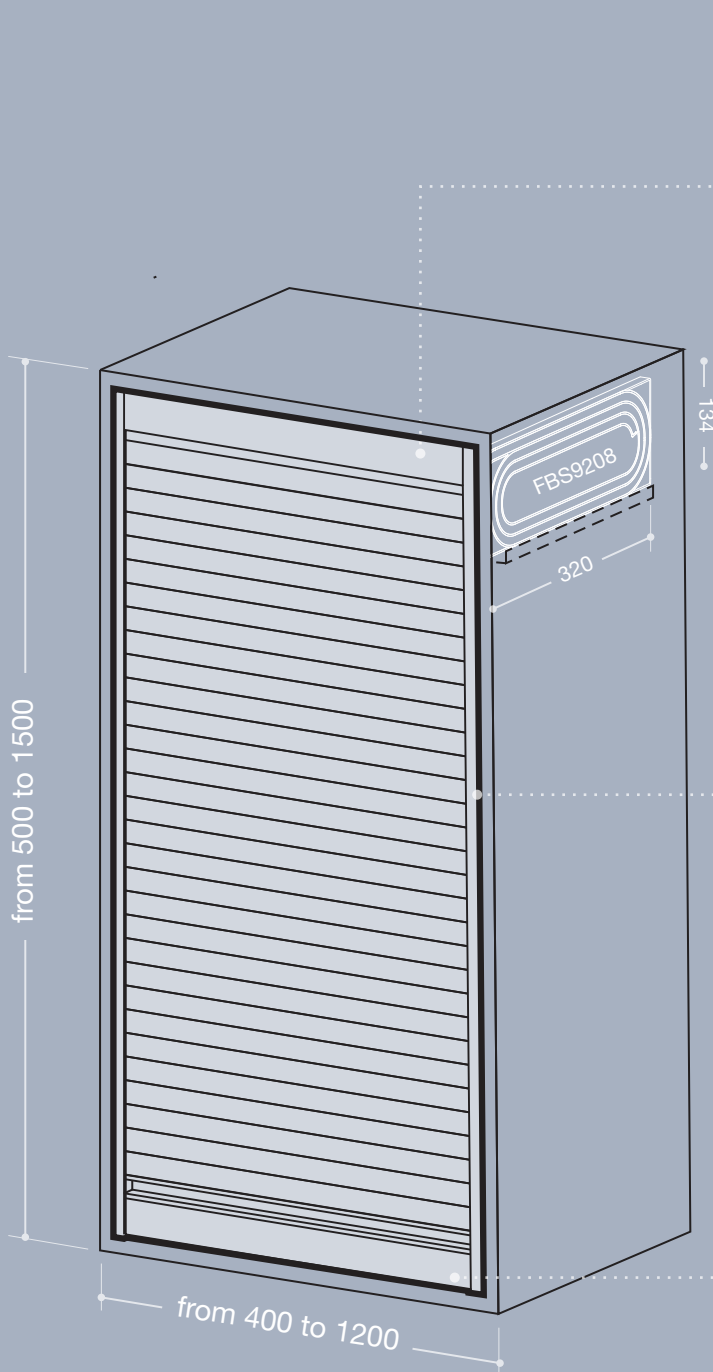
PREVERNICIATI / PREPAINTED

- U5 - alumatt
- U6 - inox
- M3 - white
- M4 - matt white
- L2 - matt black
- MO01 - mahogany
- FR01 - ash
- NC01 - walnut

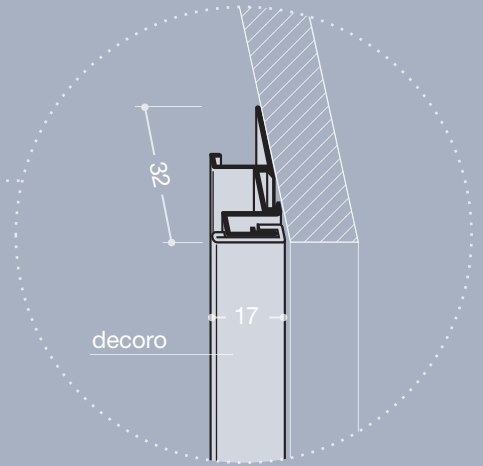
Alcune varianti di dogia non sono disponibili in tutte le finiture Some type of slat are not available in all the finishing

BOXMILANO

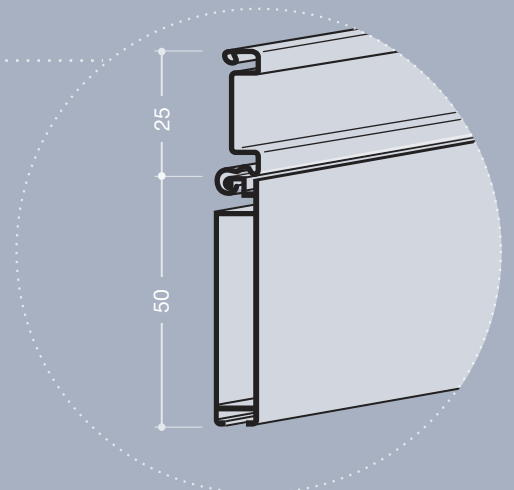
BM2 | BoxMilano Minimal



PROFILO TOP / TOP PROFILE
cod. FBS7556



PROFILO GUIDA / GUIDE PROFILE
cod. FBS7554 + FBS2063 (decoro)



PROFILO CON MANIGLIA / PROFILE WITH HANDLE
cod. FBS7547 + FBS2010 (handle)

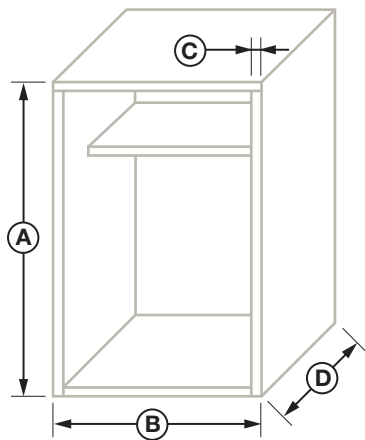
misure in mm - dimensions in mm

SPESSORE PANNELLO BOARD THICKNESS	qualsiasi / any
INGOMBRO INTERNO PISTA INTERNAL COILER DIMENSIONS	320 x 134 mm
ARRETRAMENTO RIPIANI SHELVES SETBACK	50 mm

BM2 MODULO D' ORDINE / ORDER SHEET



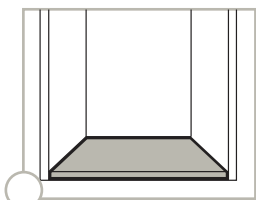
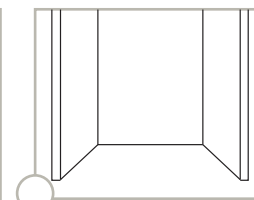
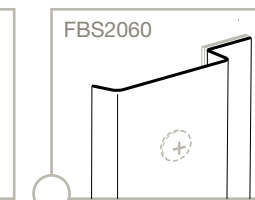
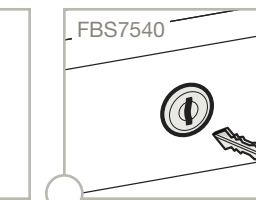
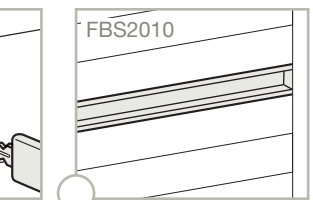

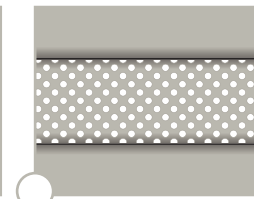

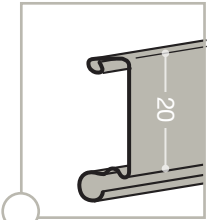
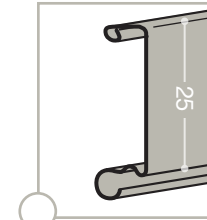
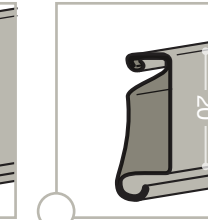
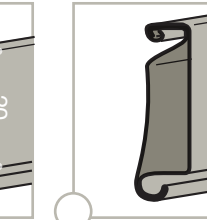
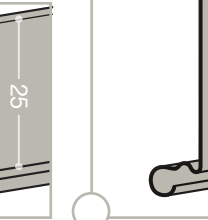
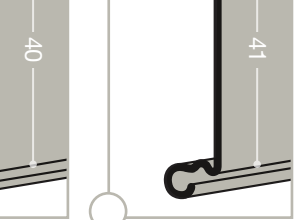
Compilare il presente modulo in tutte le sue parti per una corretta registrazione del vostro ordine.
Fill in this sheet in full for a correct processing of your order



Misure mobile / Cabinet dimensions

A	B	C	D	QUANTITÀ QUANTITY

Varianti / Options

 box con base box with basement	 box senza base box without basement	 FBS2060 profilo copriviti screw cover profile	 FBS7540 serratura lock	 FBS2010 maniglia intermedia intermediate handle
 standard	 wind mix	 wind		
 FBS2020	 FBS2125	 FBS2000 rinforzato reinforced	 FBS2025 rinforzato reinforced	 FBS2140
				 FBS2141 rinforzato reinforced

Finitura / Finishing

ANODIZZATI / ANODIZED

- | | |
|---|---|
| <input type="radio"/> A - brushed | <input type="radio"/> B2 - mill inox |
| <input type="radio"/> A2 - inox brushed | <input type="radio"/> BR2 - matt bronze |
| <input type="radio"/> B - mill finish | <input type="radio"/> SN - sat nat |

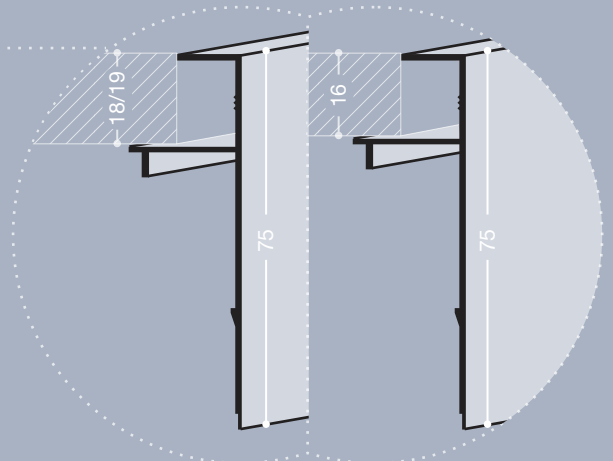
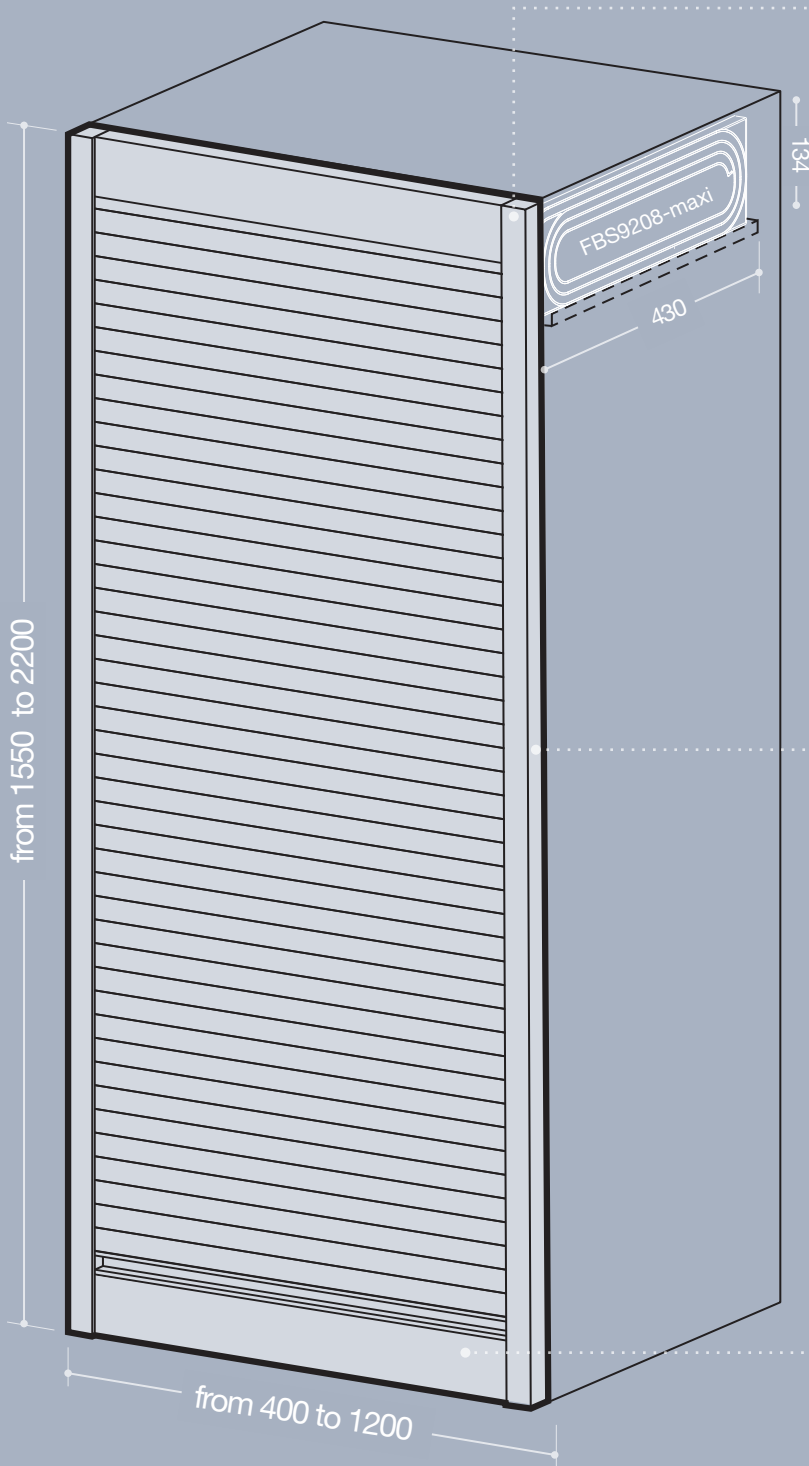
PREVERNICIATI / PREPAINTED

- | | | |
|------------------------------------|---------------------------------------|---------------------------------------|
| <input type="radio"/> U5 - alumatt | <input type="radio"/> M4 - matt white | <input type="radio"/> MO01 - mahogany |
| <input type="radio"/> U6 - inox | <input type="radio"/> L2 - matt black | <input type="radio"/> FR01 - ash |
| <input type="radio"/> M3 - white | | <input type="radio"/> NC01 - walnut |

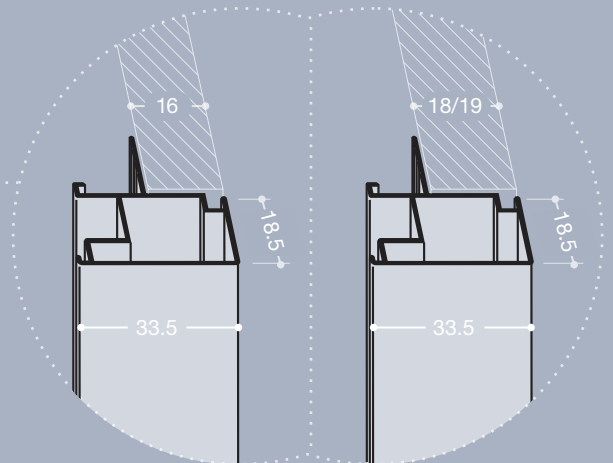
Alcune varianti di dogia non sono disponibili in tutte le finiture Some type of slat are not available in all the finishing

BOXMILANO

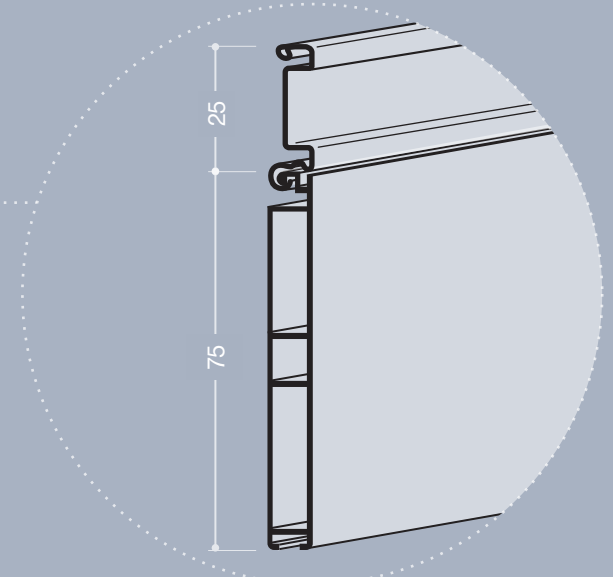
BM3 | Maxi BoxMilano



PROFILO TOP / TOP PROFILE
cod. FBS7518 (pannelli da 18 - 19 mm)
cod. FBS7515 (pannelli da 16 mm)



PROFILO GUIDA / GUIDE PROFILE
cod. FBS7519 (pannelli da 18 - 19 mm)
cod. FBS7516 (pannelli da 16 mm)



PROFILO CON MANIGLIA / PROFILE WITH HANDLE
cod. FBS7512 + FBS2010 (handle)

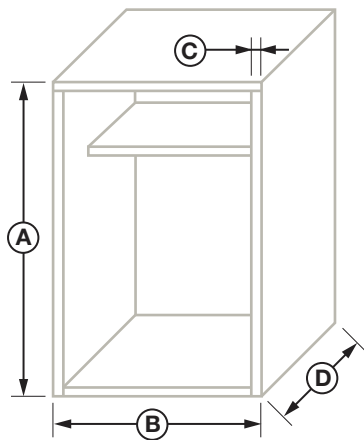
misure in mm - dimensions in mm

SPESSORE PANNELLO BOARD THICKNESS	16 / 18 / 19 mm
INGOMBRO INTERNO PISTA INTERNAL COILER DIMENSIONS	430 x 134 mm
ARRETRAMENTO RIPIANI SHELVES BACKING	50 mm

BM3 MODULO D' ORDINE / ORDER SHEET



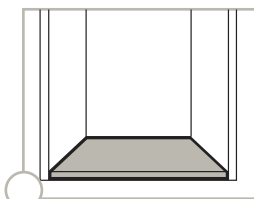
Compilare il presente modulo in tutte le sue parti per una corretta registrazione del vostro ordine.
Fill in this sheet in full for a correct processing of your order



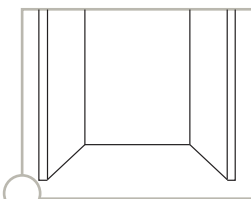
Misure mobile / Cabinet dimensions

A	B	C	D	QUANTITÀ QUANTITY

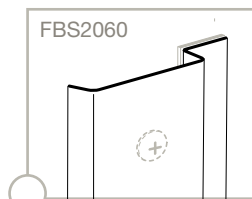
Varianti / Options



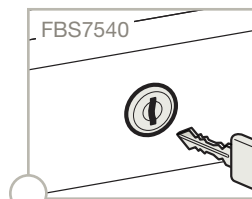
box con base
box with base



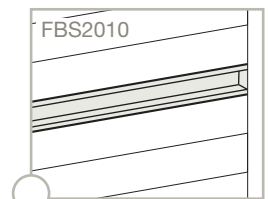
box senza base
box without base



profilo copriviti
screw cover profile



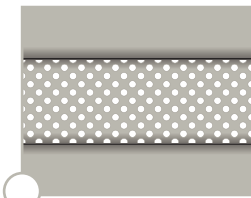
serratura
lock



maniglia intermedia
intermediate handle



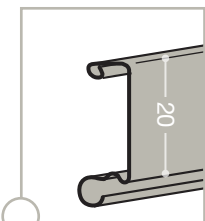
standard



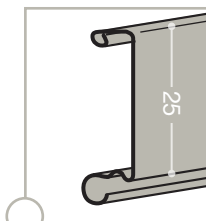
wind mix



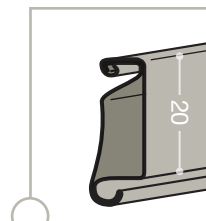
wind



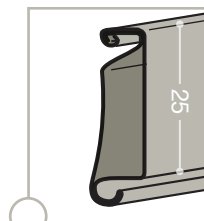
FBS2020



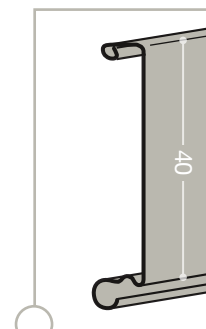
FBS2125



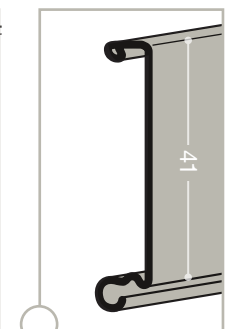
FBS2000
rinforzato reinforced



FBS2025
rinforzato reinforced



FBS2140



FBS2141
rinforzato reinforced

Finitura / Finishing

ANODIZZATI / ANODIZED

- A - brushed
 A2 - inox brushed
 B - mill finish

- B2 - mill inox
 BR2 - matt bronze
 SN - sat nat

PREVERNICIATI / PREPAINTED

- U5 - alumatt
 U6 - inox
 M3 - white

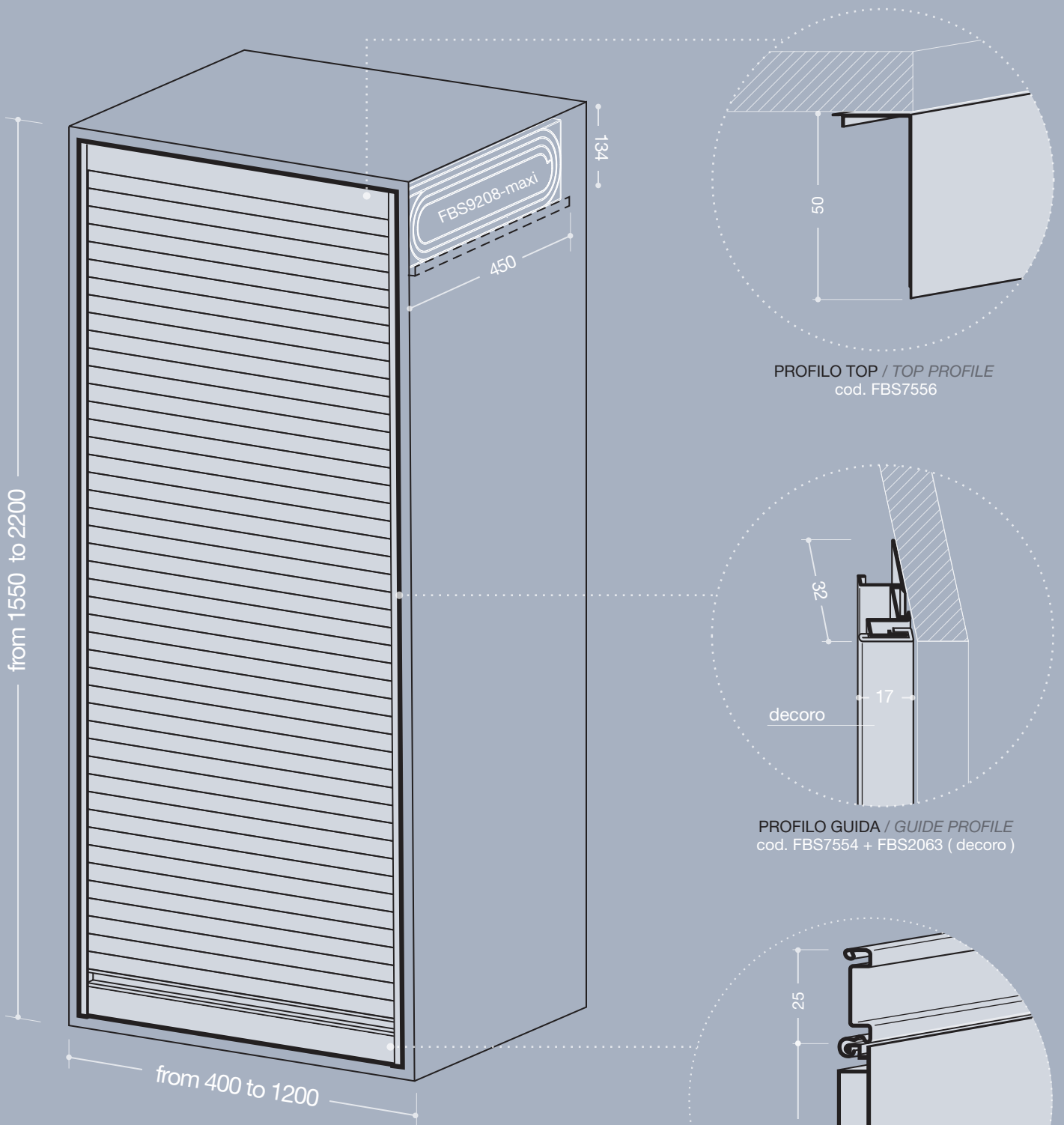
- M4 - matt white
 L2 - matt black

- MO01 - mahogany
 FR01 - ash
 NC01 - walnut

Alcune varianti di dogia non sono disponibili in tutte le finiture Some type of slat are not available in all the finishing

BOXMILANO

BM4 | Maxi BoxMilano Minimal



misure in mm - dimensions in mm

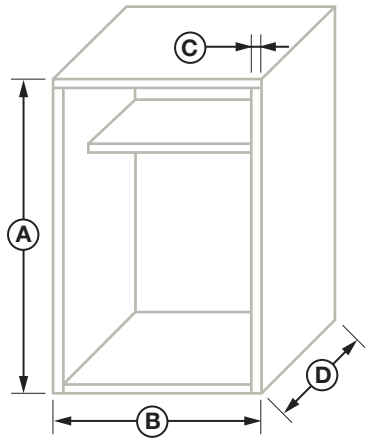
SPESSORE PANNELLO BOARD THICKNESS	qualsiasi / any
INGOMBRO INTERNO PISTA INTERNAL COILER DIMENSIONS	450 x 134 mm
ARRETRAMENTO RIPIANI SHELVES SETBACK	50 mm

PROFILO CON MANIGLIA / PROFILE WITH HANDLE
cod. FBS7547 + FBS2010 (handle)

BM4 MODULO D' ORDINE / ORDER SHEET



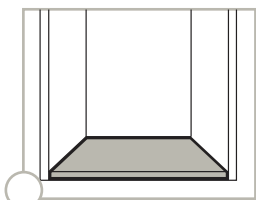
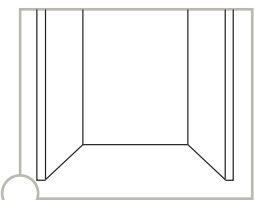
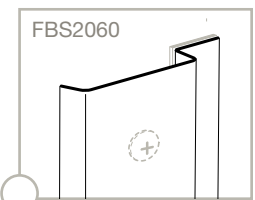
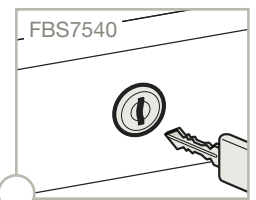
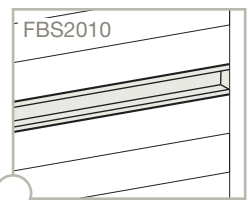

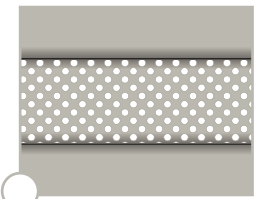

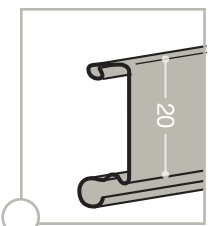
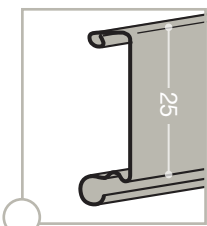
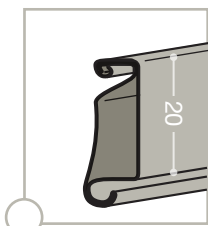
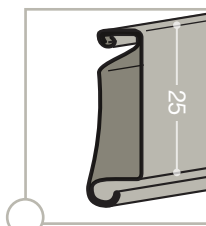
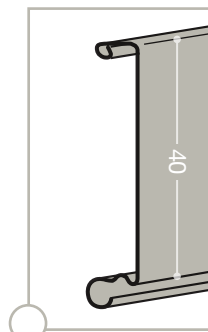
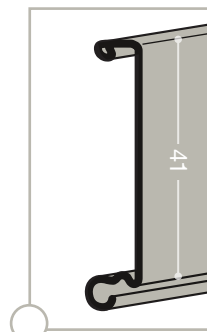
Compilare il presente modulo in tutte le sue parti per una corretta registrazione del vostro ordine.
Fill in this sheet in full for a correct processing of your order



Misure mobile / Cabinet dimensions

A	B	C	D	QUANTITÀ QUANTITY

Varianti / Options

 box con base box with basement	 box senza base box without basement	 FBS2060 profilo copriviti screw cover profile	 FBS7540 serratura lock	 FBS2010 maniglia intermedia intermediate handle
 standard	 wind mix	 wind		
 FBS2020	 FBS2125	 FBS2000 rinforzato reinforced	 FBS2025 rinforzato reinforced	 FBS2140
				 FBS2141 rinforzato reinforced

Finitura / Finishing

ANODIZZATI / ANODIZED

- A - brushed
- A2 - inox brushed
- B - mill finish
- B2 - mill inox
- BR2 - matt bronze
- SN - sat nat

PREVERNICIATI / PREPAINTED

- U5 - alumatt
- U6 - inox
- M3 - white
- M4 - matt white
- L2 - matt black
- MO01 - mahogany
- FR01 - ash
- NC01 - walnut

Alcune varianti di dogia non sono disponibili in tutte le finiture Some type of slat are not available in all the finishing