



# TopSystem



**materiali riciclabili**  
*recyclable materials*



**qualità**  
*quality*



**resistenza**  
*endurance*



**leggerezza**  
*lightness*

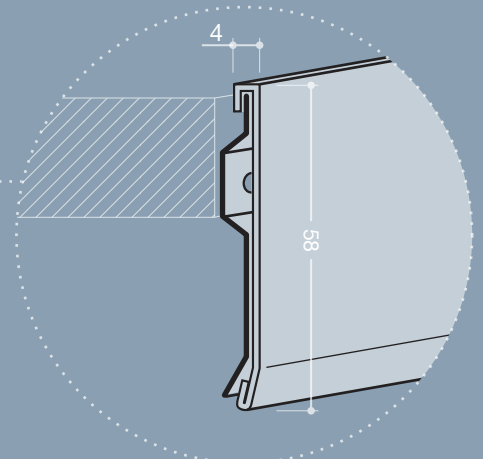
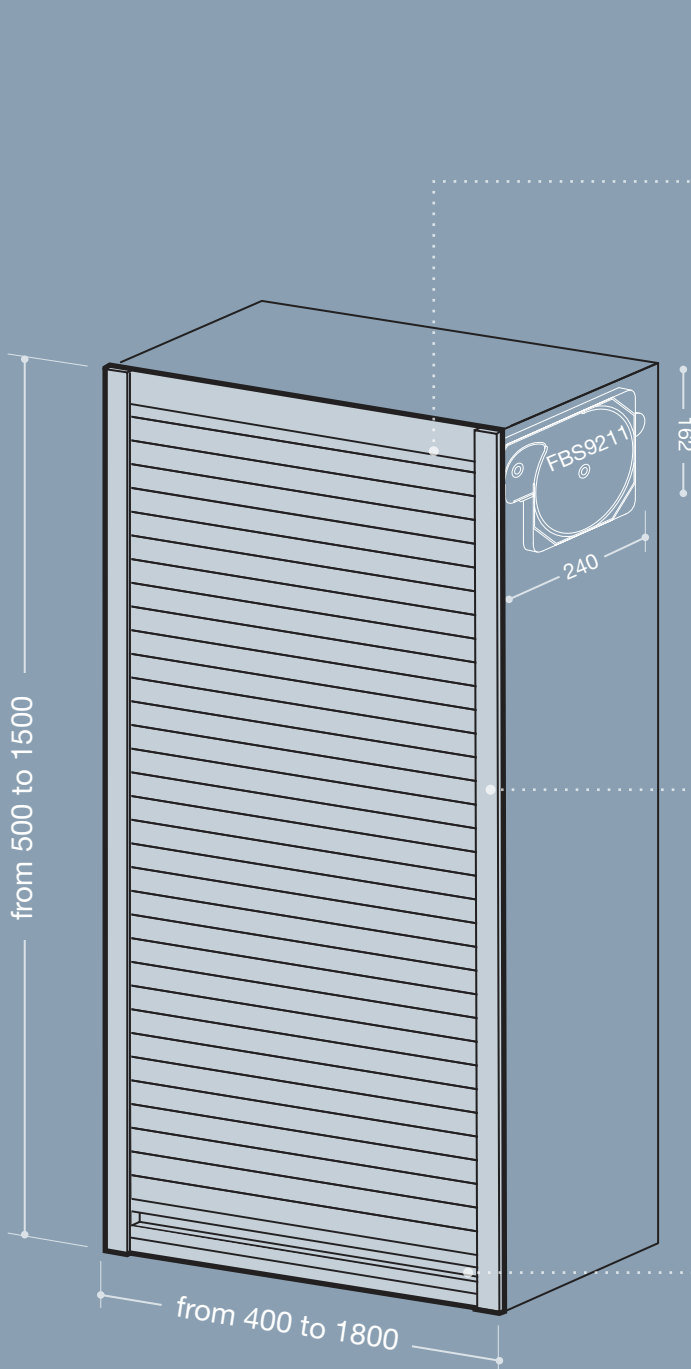


**installazione rapida**  
*fast installation*

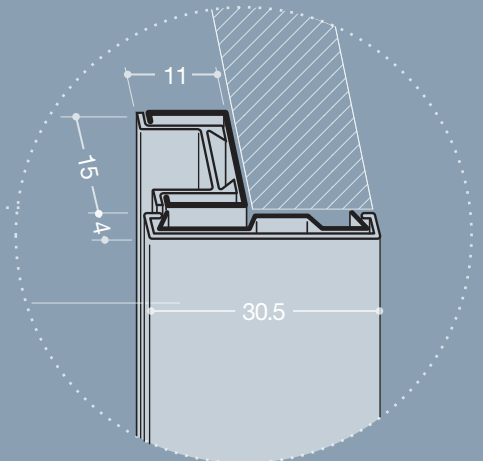
.....

*Sistema di serrandine 100% alluminio fornito in kit con avvolgimento a rullo e sistema di compensazione a molle. Disponibile in un ampio range di misure e accessori.*  
*100% aluminium tambour door system supplied in kit with box and springs coiler.*  
*Available in a wide range of dimensions and accessories.*

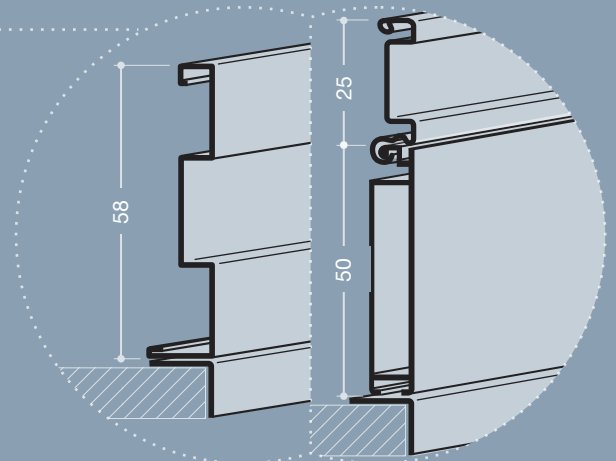
# TS1 | TopSystem 9211



**PROFILO TOP / TOP PROFILE**  
cod. FBS2008 + FBS 2029 ( supporto )



**PROFILO GUIDA / GUIDE PROFILE**  
cod. FBS2014 + FBS6501  
**DECORO / DECORATIVE PROFILE**  
cod. FBS2030 + FBS2028 ( supporto )

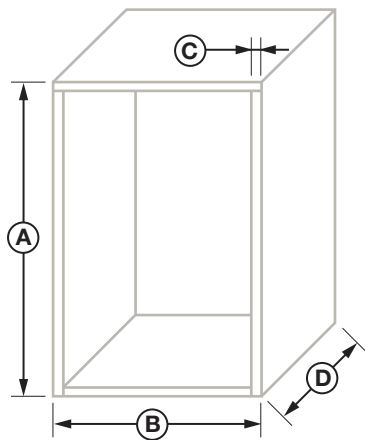


**PROFILO CON MANIGLIA / PROFILE WITH HANDLE**  
cod. FBS2011 + FBS2031 ( angolare )  
CON SERRATURA: cod. FBS2010 + FBS7547 + FBS2031 ( angolare )

misure in mm - dimensions in mm

SPESSORE PANNELLO BOARD THICKNESS	16 / 18 / 19 mm
INGOMBRO INTERNO PISTA INTERNAL COILER DIMENSIONS	240 x 162 mm
ARRETRAMENTO RIPIANI SHELVES SETBACK	50 mm

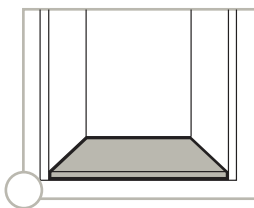
Compilare il presente modulo in tutte le sue parti per una corretta registrazione del vostro ordine.  
Fill in this sheet in full for a correct processing of your order



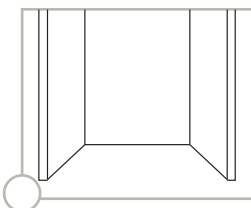
## Misure mobile / Cabinet dimensions

A	B	C	D	QUANTITÀ QUANTITY

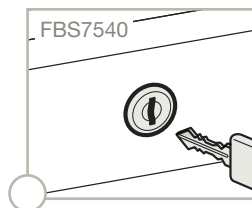
## Varianti / Options



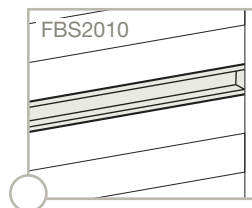
**box con base**  
box with basement



**box senza base**  
box without basement



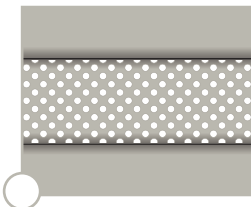
**serratura**  
lock



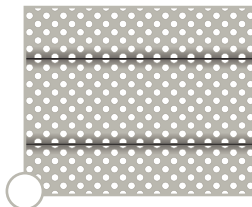
**maniglia intermedia**  
intermediate handle



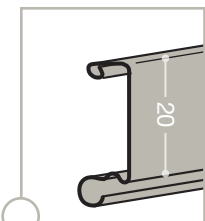
**standard**



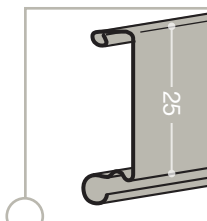
**wind mix**



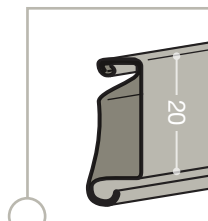
**wind**



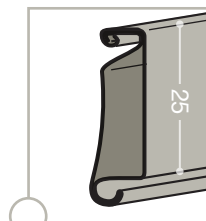
**FBS2020**



**FBS2125**



**FBS2000**  
rinforzato reinforced



**FBS2025**  
rinforzato reinforced

## Finiture / Finishing

### ANODIZZATI / ANODIZED

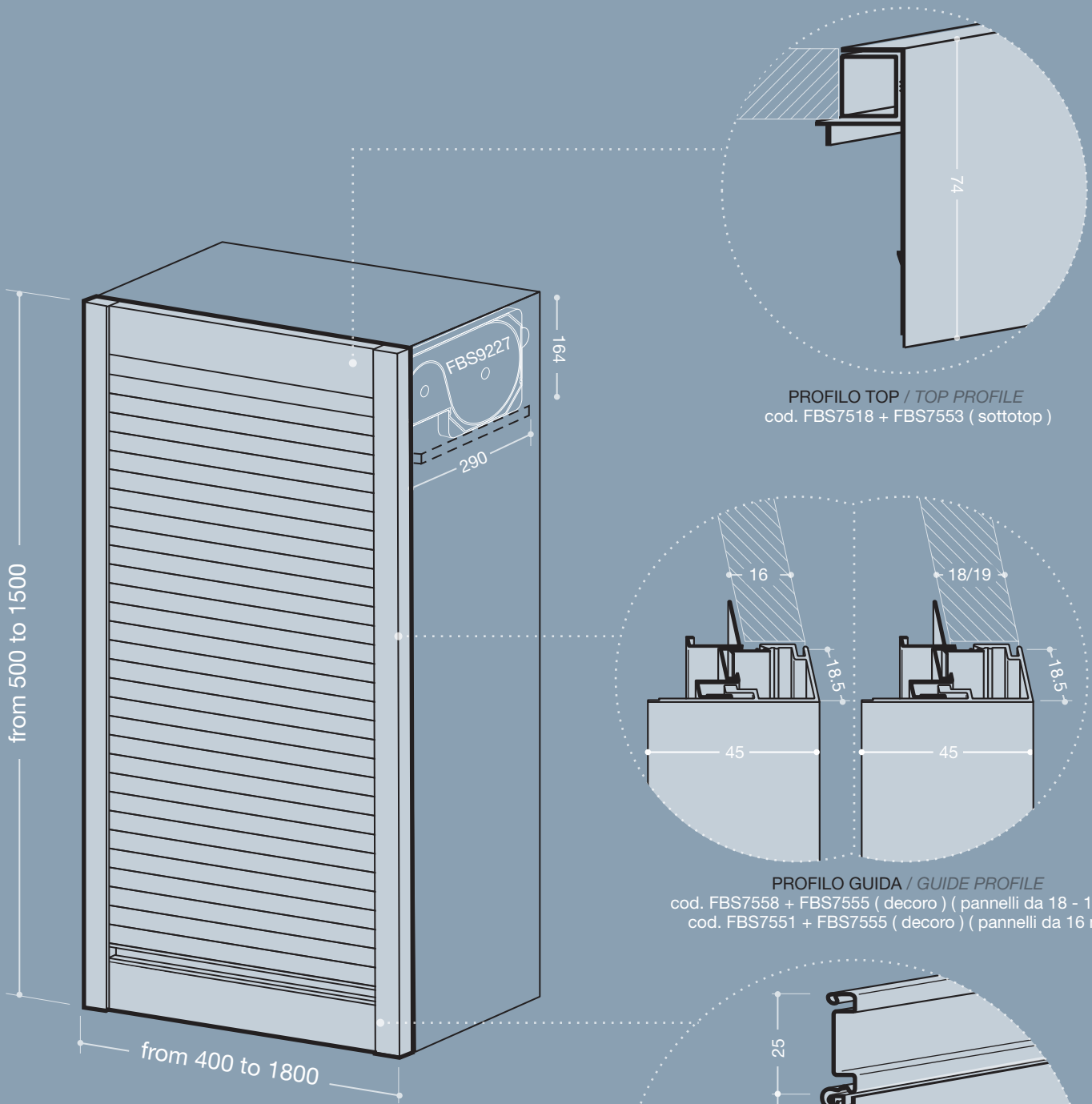
- A - brushed
- A2 - inox brushed
- B - mill finish
- B2 - mill inox
- BR2 - matt bronze
- SN - sat nat

### PREVERNICIATI / PREPAINTED

- U5 - alumatt
- U6 - inox
- M3 - white
- M4 - matt white
- L2 - matt black
- MO01 - mahogany
- FR01 - ash
- NC01 - walnut

Alcune varianti di dogia non sono disponibili in tutte le finiture Some type of slat are not available in all the finishing

# TS2 | TopSystem 9227



**PROFILO TOP / TOP PROFILE**  
 cod. FBS7518 + FBS7553 ( sottotop )

**PROFILO GUIDA / GUIDE PROFILE**  
 cod. FBS7558 + FBS7555 ( decoro ) ( pannelli da 18 - 19 mm )  
 cod. FBS7551 + FBS7555 ( decoro ) ( pannelli da 16 mm )

**PROFILO CON MANIGLIA / PROFILE WITH HANDLE**  
 cod. FBS7512 + FBS2010 ( handle )

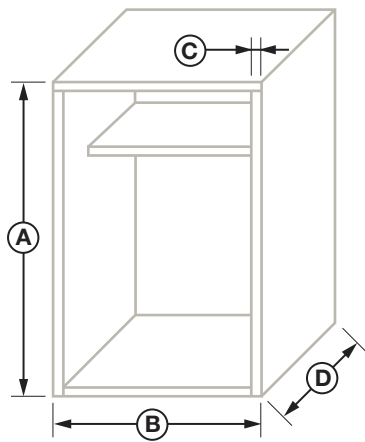
misure in mm - dimensions in mm

SPESSORE PANNELLO BOARD THICKNESS	16 / 18 / 19 mm
INGOMBRO INTERNO PISTA INTERNAL COILER DIMENSIONS	290 x 164 mm
ARRETRAMENTO RIPIANI SHELVES SETBACK	50 mm

# TS2 MODULO D' ORDINE / ORDER SHEET



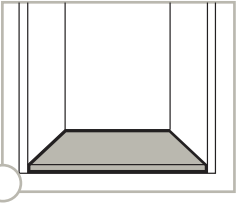
Compilare il presente modulo in tutte le sue parti per una corretta registrazione del vostro ordine.  
Fill in this sheet in full for a correct processing of your order



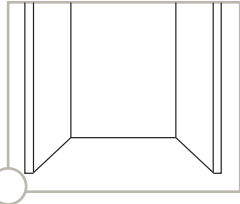
## Misure mobile / Cabinet dimensions

A	B	C	D	QUANTITÀ QUANTITY

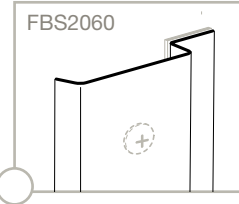
## Varianti / Options



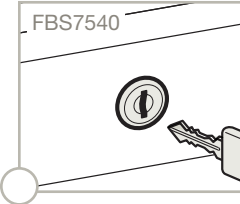
**box con base**  
box with basement



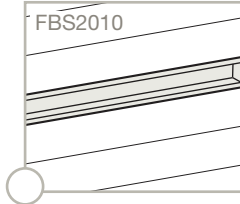
**box senza base**  
box without basement




**FBS2060**  
profilo copriviti  
screw cover profile



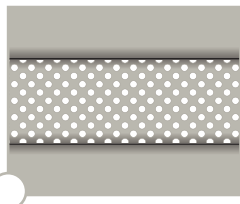
**FBS7540**  
serratura  
lock




**FBS2010**  
maniglia intermedia  
intermediate handle



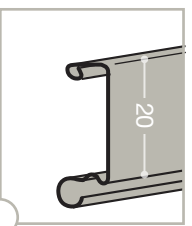
**standard**



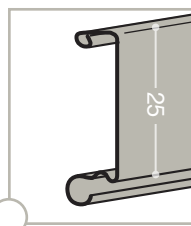
**wind mix**



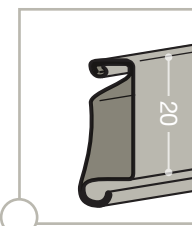
**wind**




**FBS2020**



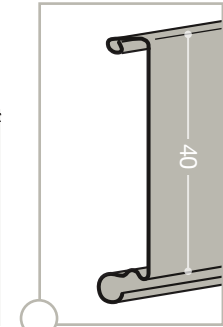
**FBS2125**



**FBS2000**  
rinforzato reinforced



**FBS2025**  
rinforzato reinforced



**FBS2140**

## Finiture / Finishing

### ANODIZZATI / ANODIZED

- A - brushed
- A2 - inox brushed
- B - mill finish
- B2 - mill inox
- BR2 - matt bronze
- SN - sat nat

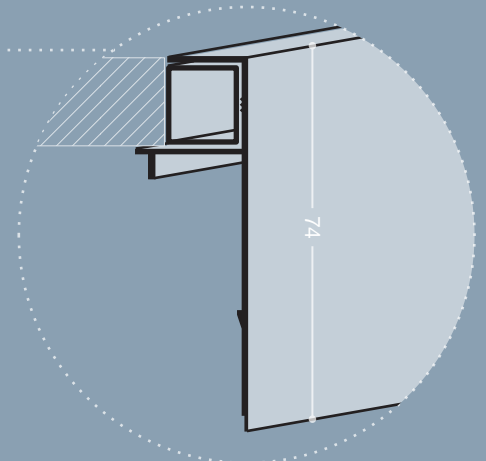
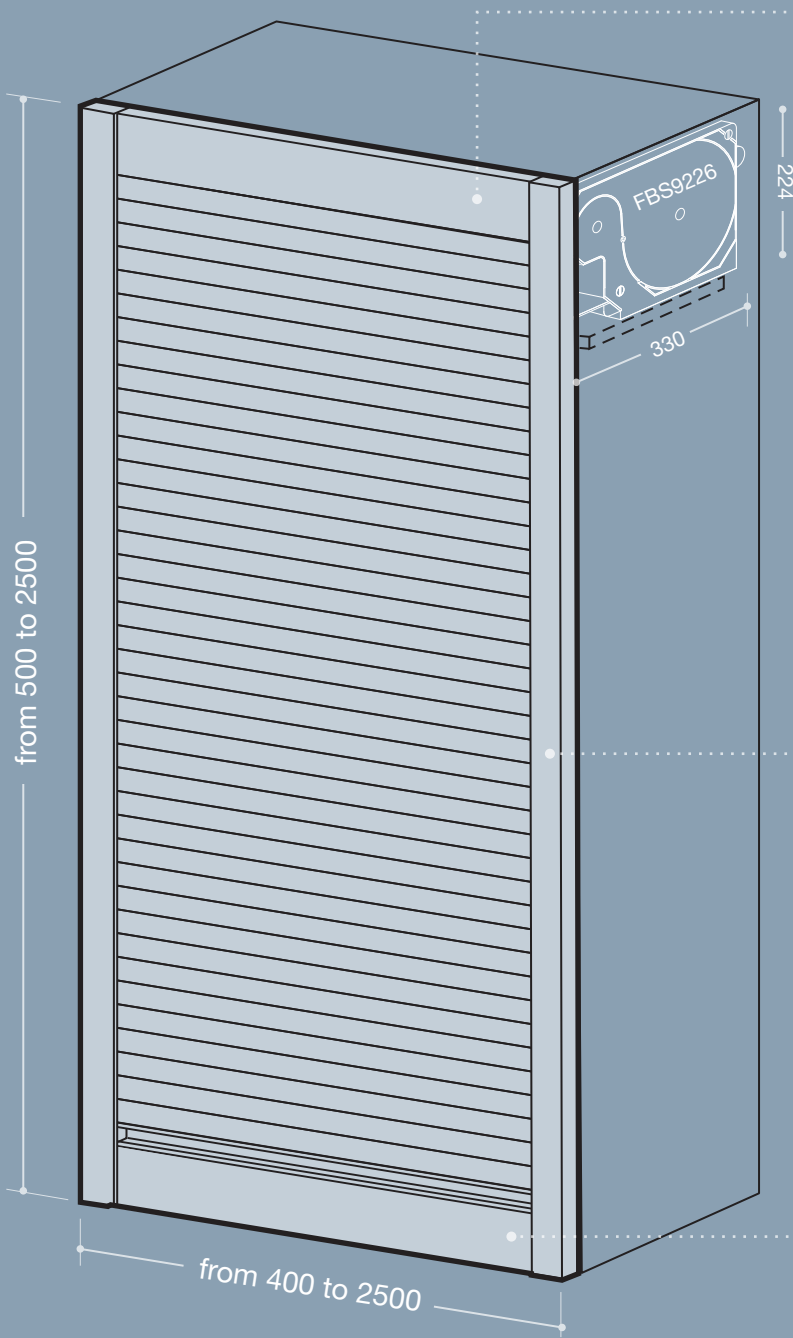
### PREVERNICIATI / PREPAINTED

- U5 - alumatt
- U6 - inox
- M3 - white
- M4 - matt white
- L2 - matt black
- MO01 - mahogany
- FR01 - ash
- NC01 - walnut

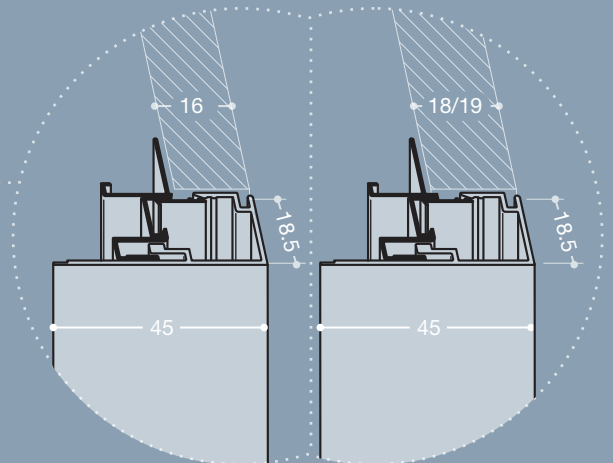
Alcune varianti di dogia non sono disponibili in tutte le finiture Some type of slat are not available in all the finishing

TOPSYSTEM

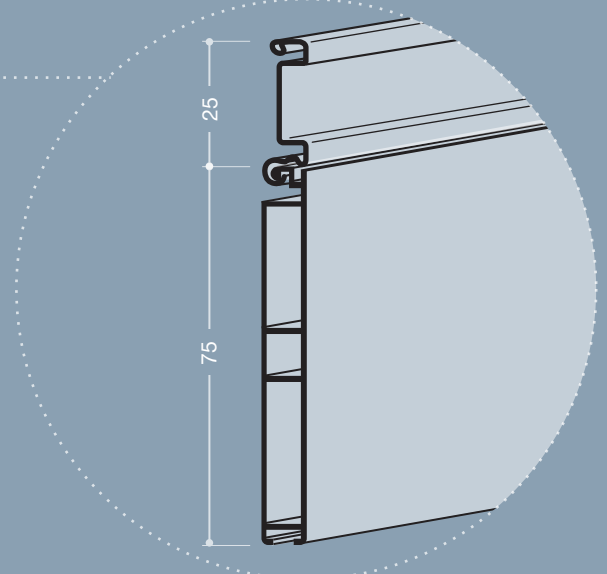
# TS3 | TopSystem 9226



PROFILO TOP / TOP PROFILE  
cod. FBS7518 + FBS7553 ( sottotop )



PROFILO GUIDA / GUIDE PROFILE  
cod. FBS7558 + FBS7555 ( decoro ) ( pannelli da 18 - 19 mm )  
cod. FBS7551 + FBS7555 ( decoro ) ( pannelli da 16 mm )



PROFILO CON MANIGLIA / PROFILE WITH HANDLE  
cod. FBS7512 + FBS2010 ( handle )

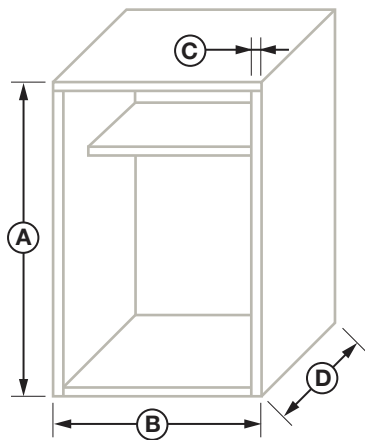
misure in mm - dimensions in mm

SPESSORE PANNELLO BOARD THICKNESS	16 / 18 / 19 mm
INGOMBRO INTERNO PISTA INTERNAL COILER DIMENSIONS	330 x 224 mm
ARRETRAMENTO RIPIANI SHELVES SETBACK	50 mm
MASSIMA SUPERFICIE H x L maximum surface H x W	2,7 m <sup>2</sup>

# TS3 MODULO D' ORDINE / ORDER SHEET



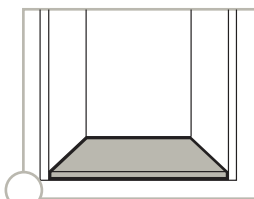
Compilare il presente modulo in tutte le sue parti per una corretta registrazione del vostro ordine.  
Fill in this sheet in full for a correct processing of your order



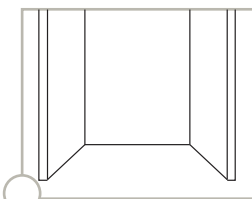
## Misure mobile / Cabinet dimensions

A	B	C	D	QUANTITÀ QUANTITY

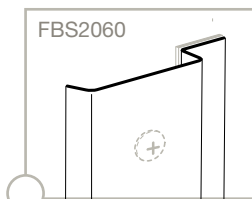
## Varianti / Options



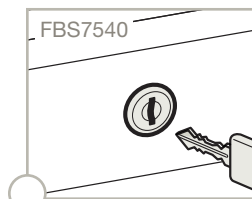
**box con base**  
box with base



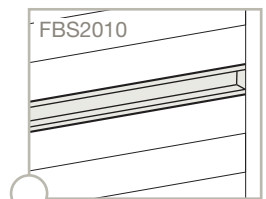
**box senza base**  
box without base



**profilo copriviti**  
screw cover profile



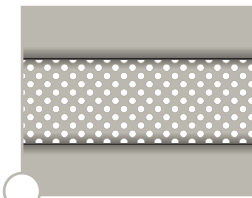
**serratura**  
lock



**maniglia intermedia**  
intermediate handle



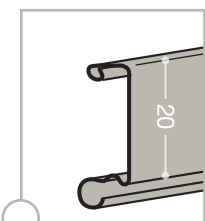
**standard**



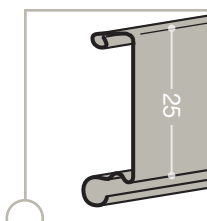
**wind mix**



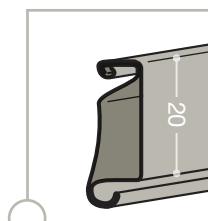
**wind**



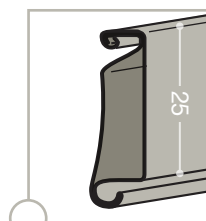
**FBS2020**



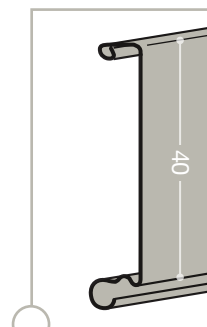
**FBS2125**



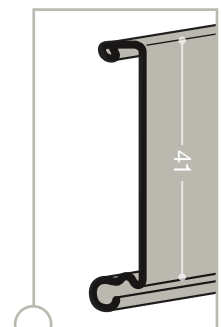
**FBS2000**  
rinforzato reinforced



**FBS2025**  
rinforzato reinforced



**FBS2140**



**FBS2141**  
rinforzato reinforced

## Finiture / Finishing

### ANODIZZATI / ANODIZED

A - brushed

B2 - mill inox

A2 - inox brushed

BR2 - matt bronze

B - mill finish

SN - sat nat

### PREVERNICIATI / PREPAINTED

U5 - alumatt

M4 - matt white

U6 - inox

L2 - matt black

M3 - white

MO01 - mahogany

FR01 - ash

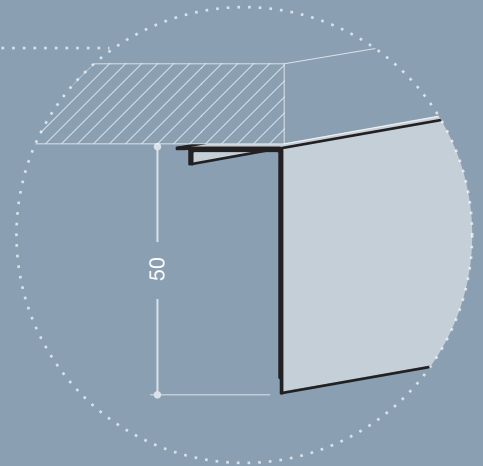
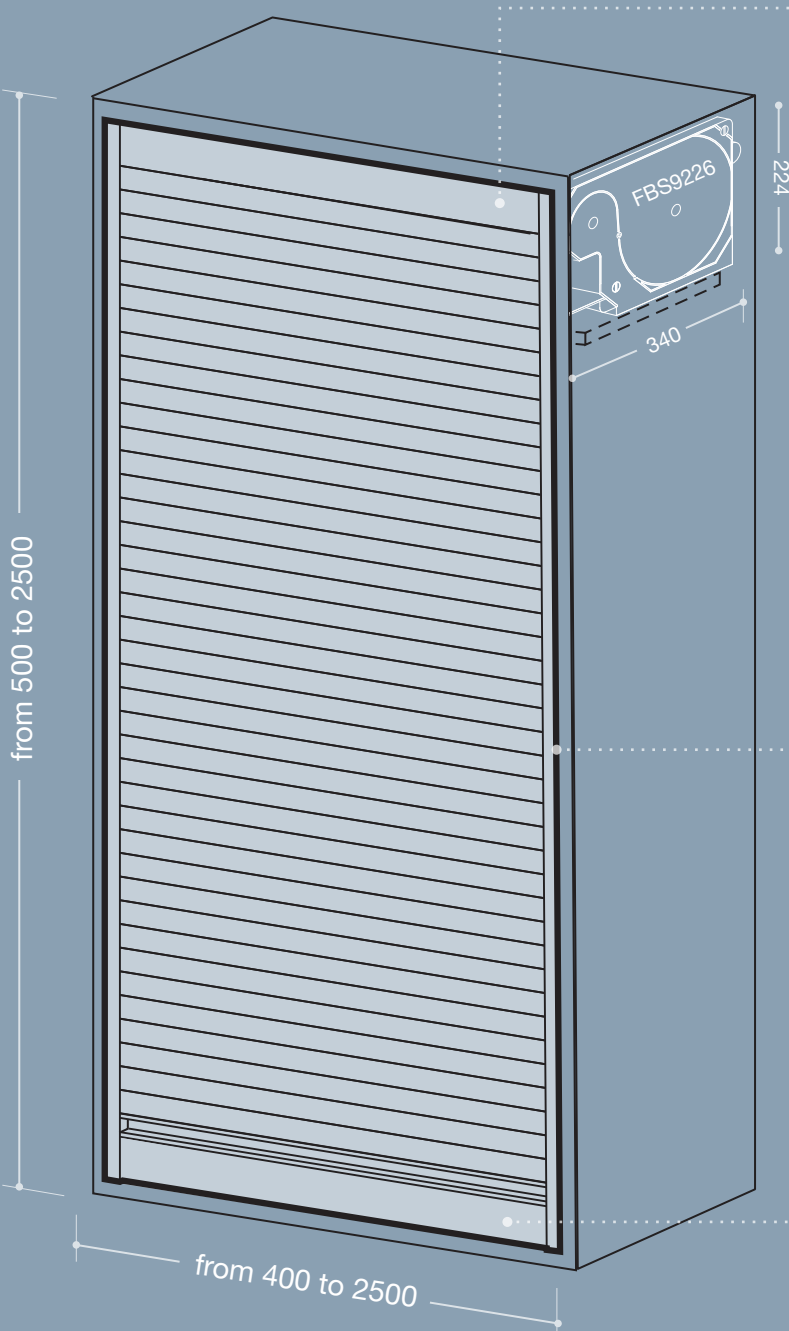
NC01 - walnut

Alcune varianti di dogia non sono disponibili in tutte le finiture Some type of slat are not available in all the finishing

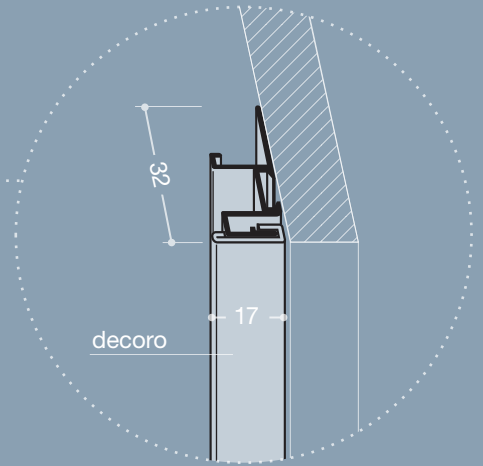


TOPSYSTEM

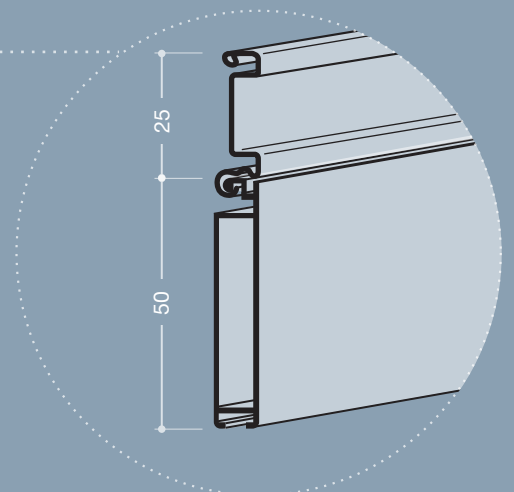
# TS4 | TopSystem 9226 Minimal



PROFILO TOP / TOP PROFILE  
cod. FBS7556



PROFILO GUIDA / GUIDE PROFILE  
cod. FBS7554 + FBS2063 ( decoro )



PROFILO CON MANIGLIA / PROFILE WITH HANDLE  
cod. FBS7547 + FBS2010 ( handle )

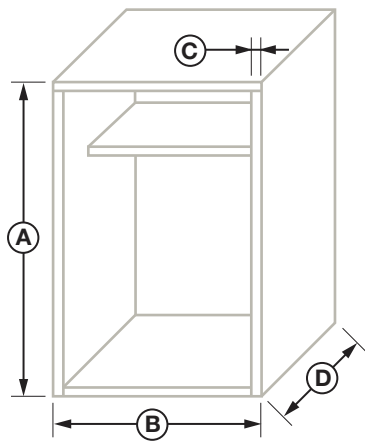
*misure in mm - dimensions in mm*

SPESSORE PANNELLO BOARD THICKNESS	qualsiasi / any
INGOMBRO INTERNO PISTA INTERNAL COILER DIMENSIONS	340 x 224 mm
ARRETRAMENTO RIPIANI SHELVES SETBACK	50 mm
MASSIMA SUPERFICIE H x L maximum surface H x W	2,7 m <sup>2</sup>

# TS4 MODULO D' ORDINE / ORDER SHEET



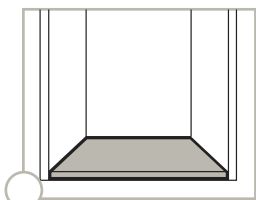
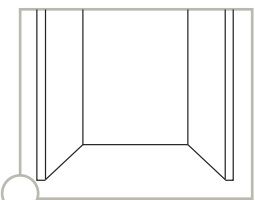
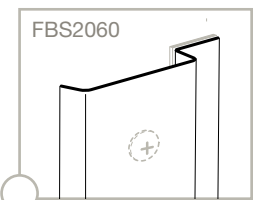
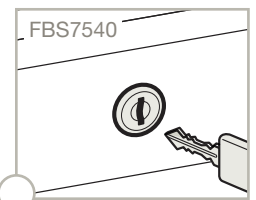
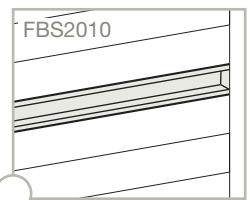

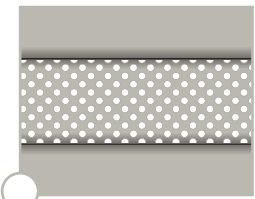

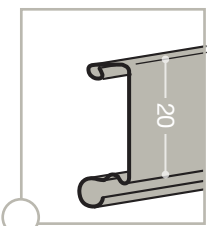
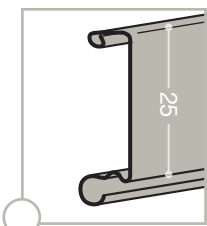
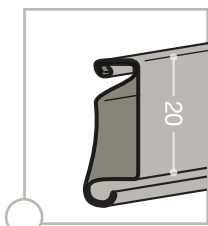
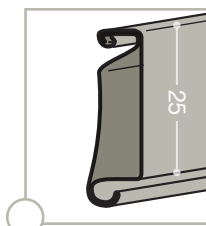
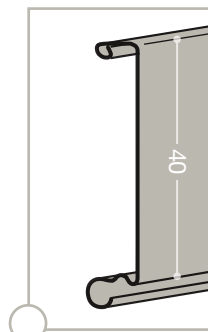
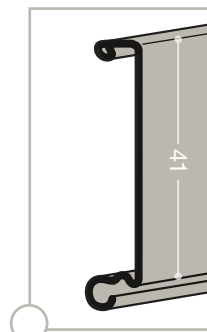
Compilare il presente modulo in tutte le sue parti per una corretta registrazione del vostro ordine.  
Fill in this sheet in full for a correct processing of your order



## Misure mobile / Cabinet dimensions

A	B	C	D	QUANTITÀ QUANTITY

## Varianti / Options

 <b>box con base</b> box with basement	 <b>box senza base</b> box without basement	 <b>FBS2060</b> profilo copriviti screw cover profile	 <b>FBS7540</b> serratura lock	 <b>FBS2010</b> maniglia intermedia intermediate handle
 <b>standard</b>	 <b>wind mix</b>	 <b>wind</b>		
 <b>FBS2020</b>	 <b>FBS2125</b>	 <b>FBS2000</b> rinforzato reinforced	 <b>FBS2025</b> rinforzato reinforced	 <b>FBS2140</b>
				 <b>FBS2141</b> rinforzato reinforced

## Finiture / Finishing

### ANODIZZATI / ANODIZED

- |   |   |
|---|---|
| <input type="radio"/> A - brushed       | <input type="radio"/> B2 - mill inox    |
| <input type="radio"/> A2 - inox brushed | <input type="radio"/> BR2 - matt bronze |
| <input type="radio"/> B - mill finish   | <input type="radio"/> SN - sat nat      |

### PREVERNICIATI / PREPAINTED

- |                                    |                                       |                                       |
|------------------------------------|---------------------------------------|---------------------------------------|
| <input type="radio"/> U5 - alumatt | <input type="radio"/> M4 - matt white | <input type="radio"/> MO01 - mahogany |
| <input type="radio"/> U6 - inox    | <input type="radio"/> L2 - matt black | <input type="radio"/> FR01 - ash      |
| <input type="radio"/> M3 - white   |                                       | <input type="radio"/> NC01 - walnut   |

Alcune varianti di dogia non sono disponibili in tutte le finiture Some type of slat are not available in all the finishing