



SpecialSystem



materiali riciclabili
recyclable materials



qualità
quality



resistenza
endurance



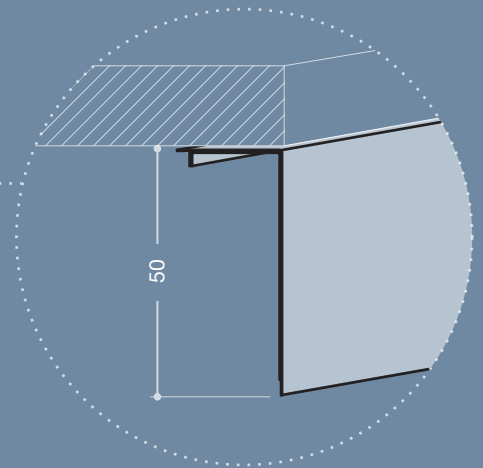
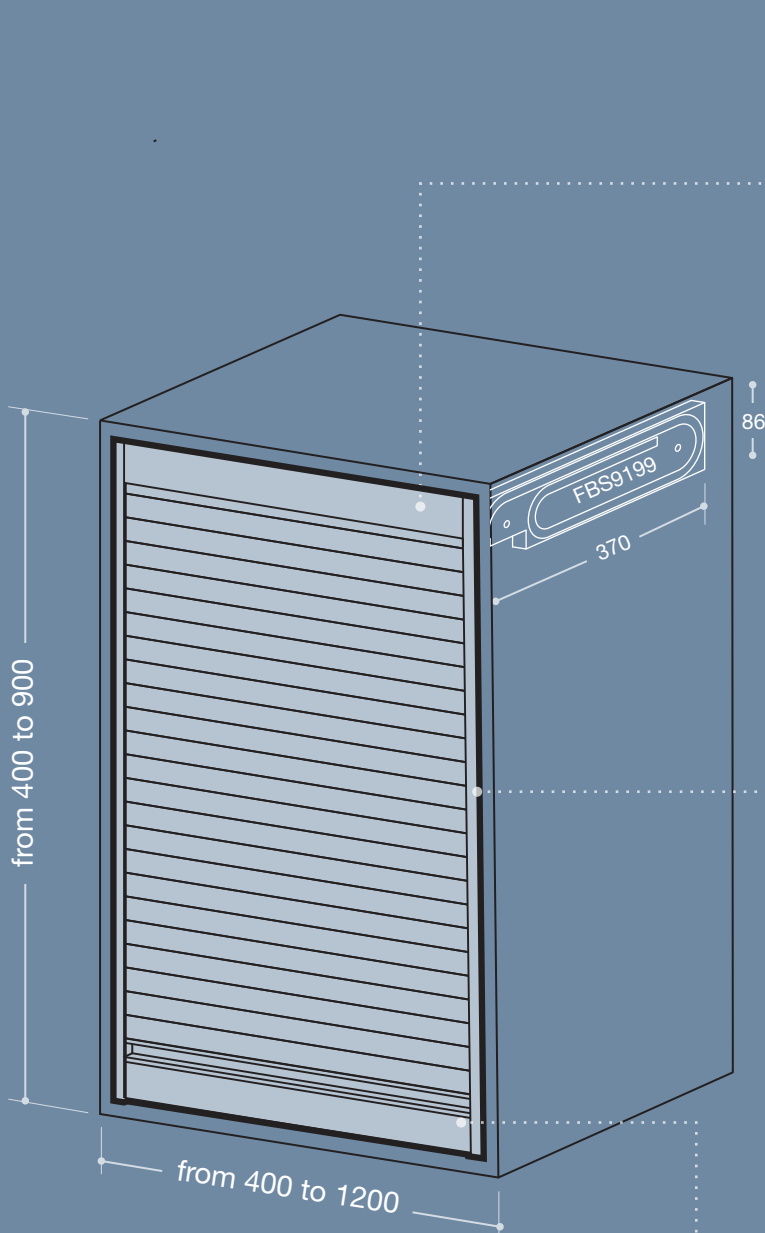
leggerezza
lightness



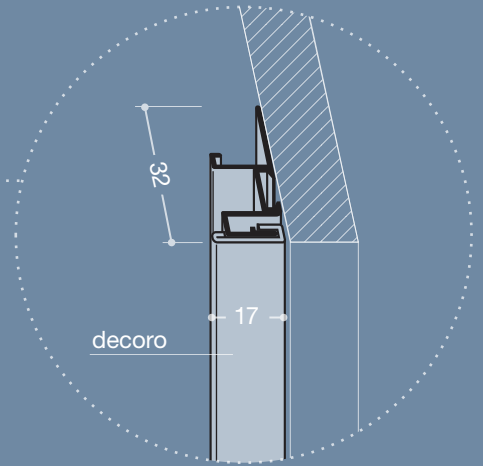
minimo ingombro
reduced dimensions

*Sistema di serrandine 100% alluminio fornito in kit con meccanismo a ingombro ridotto.
Disponibile in un ampio range di misure e accessori.
100% aluminium tambour door system supplied in kit with reduced mechanism dimensions.
Available in a wide range of dimensions and accessories.*

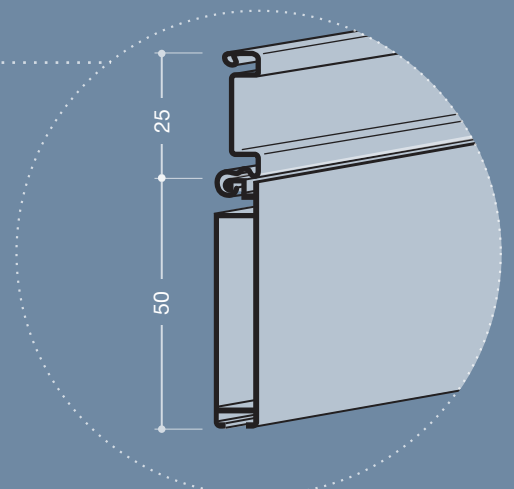
SP1 | SpecialSystem 9199 Minimal



PROFILO TOP / TOP PROFILE
cod. FBS7556



PROFILO GUIDA / GUIDE PROFILE
cod. FBS7554 + FBS2063 (decoro)



PROFILO CON MANIGLIA / PROFILE WITH HANDLE
cod. FBS7547 + FBS2010 (handle)

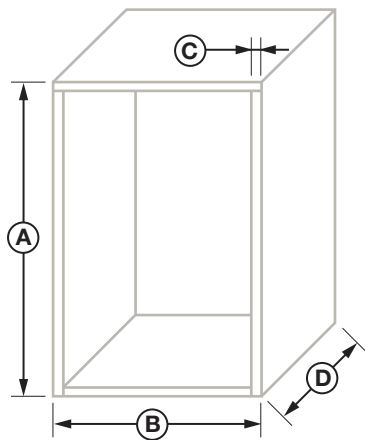
misure in mm - dimensions in mm

SPESSORE PANNELLO BOARD THICKNESS	qualsiasi / any
INGOMBRO INTERNO PISTA INTERNAL COILER DIMENSIONS	370 x 86 mm
ARRETRAMENTO RIPIANI SHELVES SETBACK	50 mm

SP1 MODULO D' ORDINE / ORDER SHEET



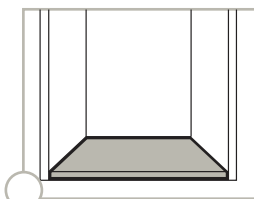
Compilare il presente modulo in tutte le sue parti per una corretta registrazione del vostro ordine.
Fill in this sheet in full for a correct processing of your order



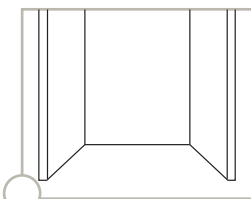
Misure mobile / Cabinet dimensions

A	B	C	D	QUANTITÀ QUANTITY

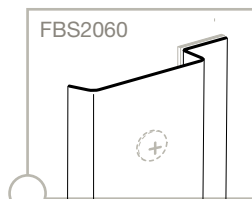
Varianti / Options



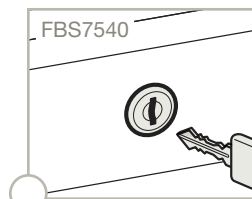
box con base
box with basement



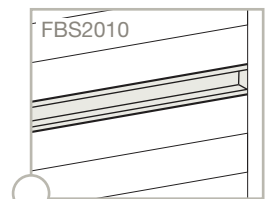
box senza base
box without basement



profilo copriviti
screw cover profile



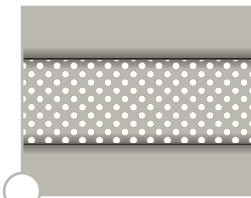
serratura
lock



maniglia intermedia
intermediate handle



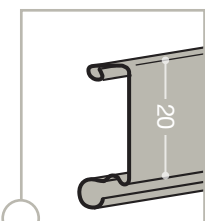
standard



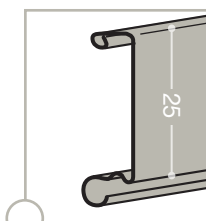
wind mix



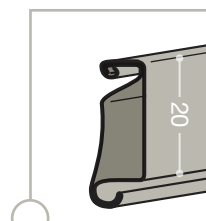
wind



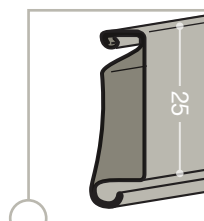
FBS2020



FBS2125



FBS2000
rinforzato reinforced



FBS2025
rinforzato reinforced

Finitura / Finishing

ANODIZZATI / ANODIZED

- A - brushed
 A2 - inox brushed
 B - mill finish

- B2 - mill inox
 BR2 - matt bronze
 SN - sat nat

PREVERNICIATI / PREPAINTED

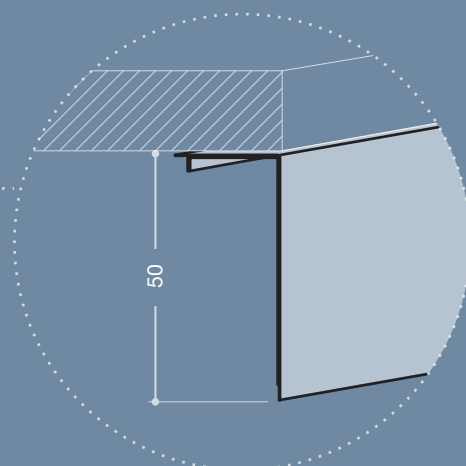
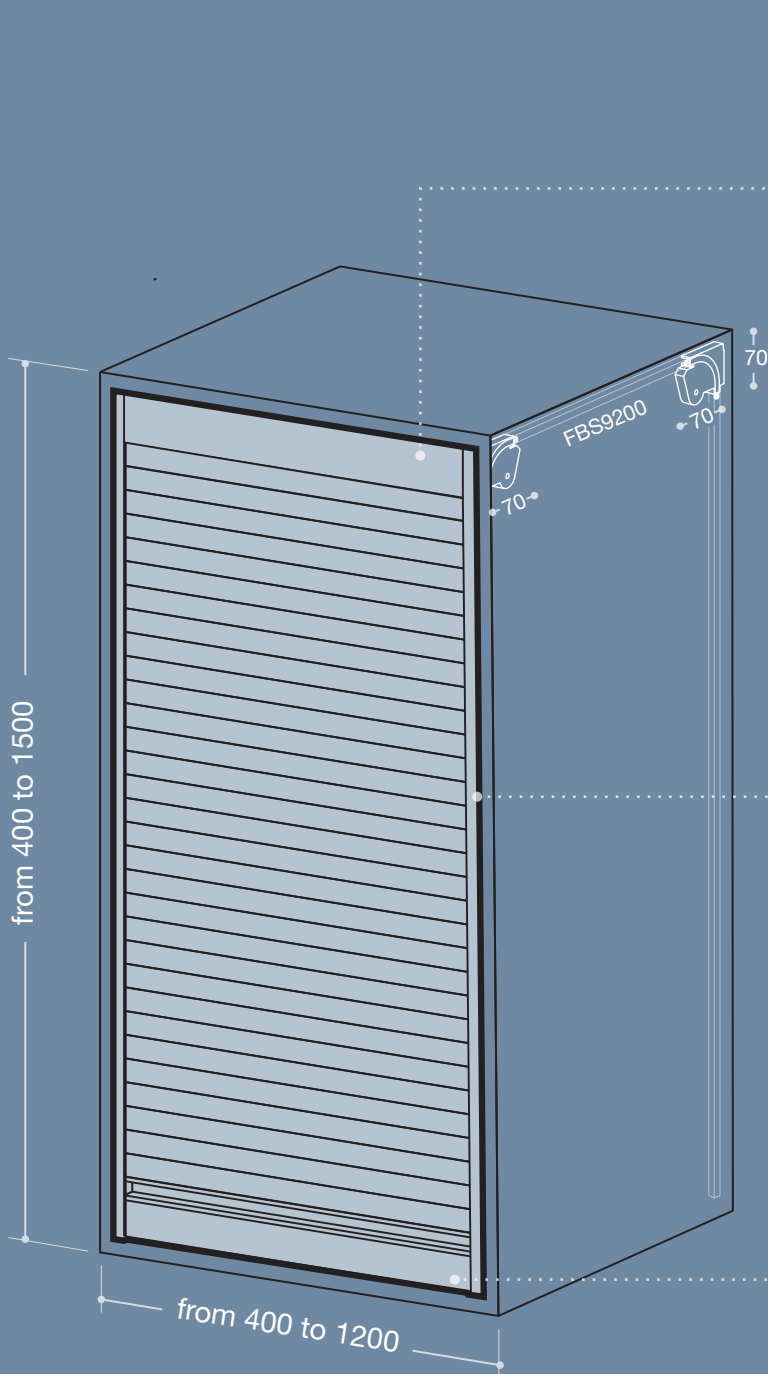
- U5 - alumatt
 U6 - inox
 M3 - white

- M4 - matt white
 L2 - matt black

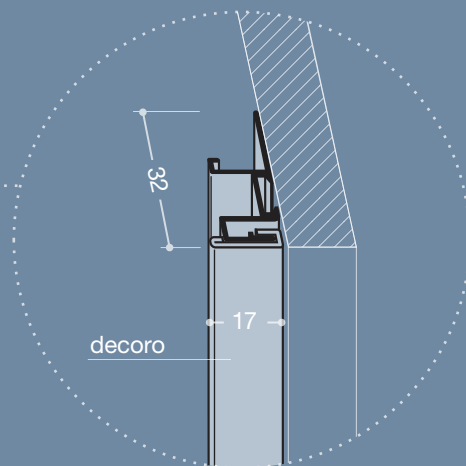
- MO01 - mahogany
 FR01 - ash
 NC01 - walnut

Alcune varianti di dogia non sono disponibili in tutte le finiture Some type of slat are not available in all the finishing

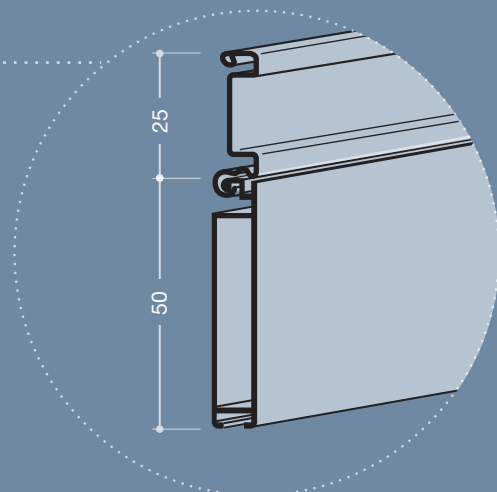
SP2 | SpecialSystem 9200 Minimal



PROFILO TOP / TOP PROFILE
cod. FBS7556



PROFILO GUIDA / GUIDE PROFILE
cod. FBS7554 + FBS2063 (decoro)



PROFILO CON MANIGLIA / PROFILE WITH HANDLE
cod. FBS7547 + FBS2010 (handle)

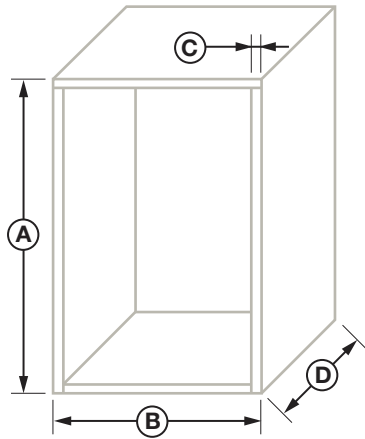
misure in mm - dimensions in mm

SPESSORE PANNELLO BOARD THICKNESS	qualsiasi / any
INGOMBRO INTERNO PISTA INTERNAL COILER DIMENSIONS	70 x 70 mm
ARRETRAMENTO RIPIANI SHELVES SETBACK	50 mm

SP2 MODULO D' ORDINE / ORDER SHEET



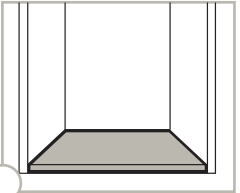
Compilare il presente modulo in tutte le sue parti per una corretta registrazione del vostro ordine.
Fill in this sheet in full for a correct processing of your order



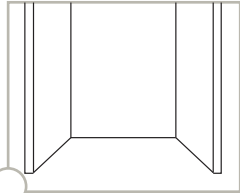
Misure mobile / Cabinet dimensions

A	B	C	D	QUANTITÀ QUANTITY

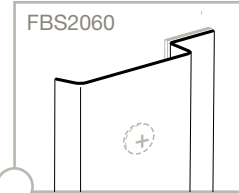
Varianti / Options



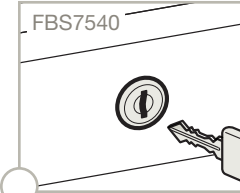
box con base
box with basement



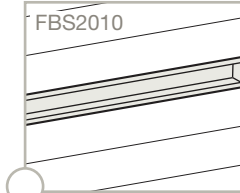
box senza base
box without basement



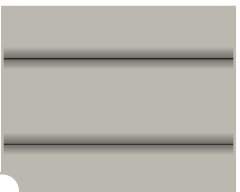
FBS2060
profilo copriviti
screw cover profile



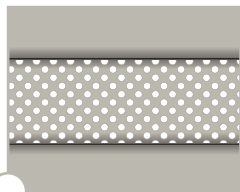
FBS7540
serratura
lock




FBS2010
maniglia intermedia
intermediate handle



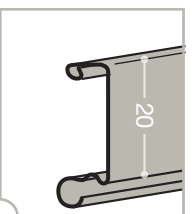
standard



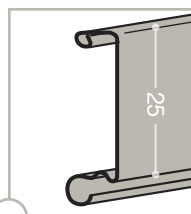
wind mix



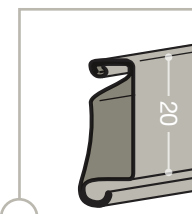
wind



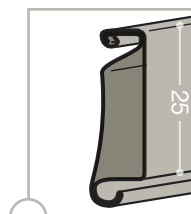
FBS2020



FBS2125



FBS2000
rinforzato reinforced



FBS2025
rinforzato reinforced

Finitura / Finishing

ANODIZZATI / ANODIZED

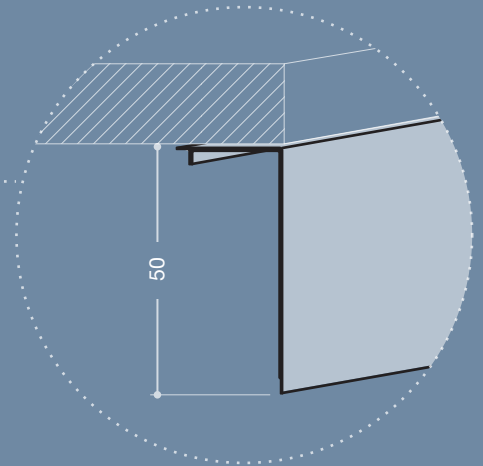
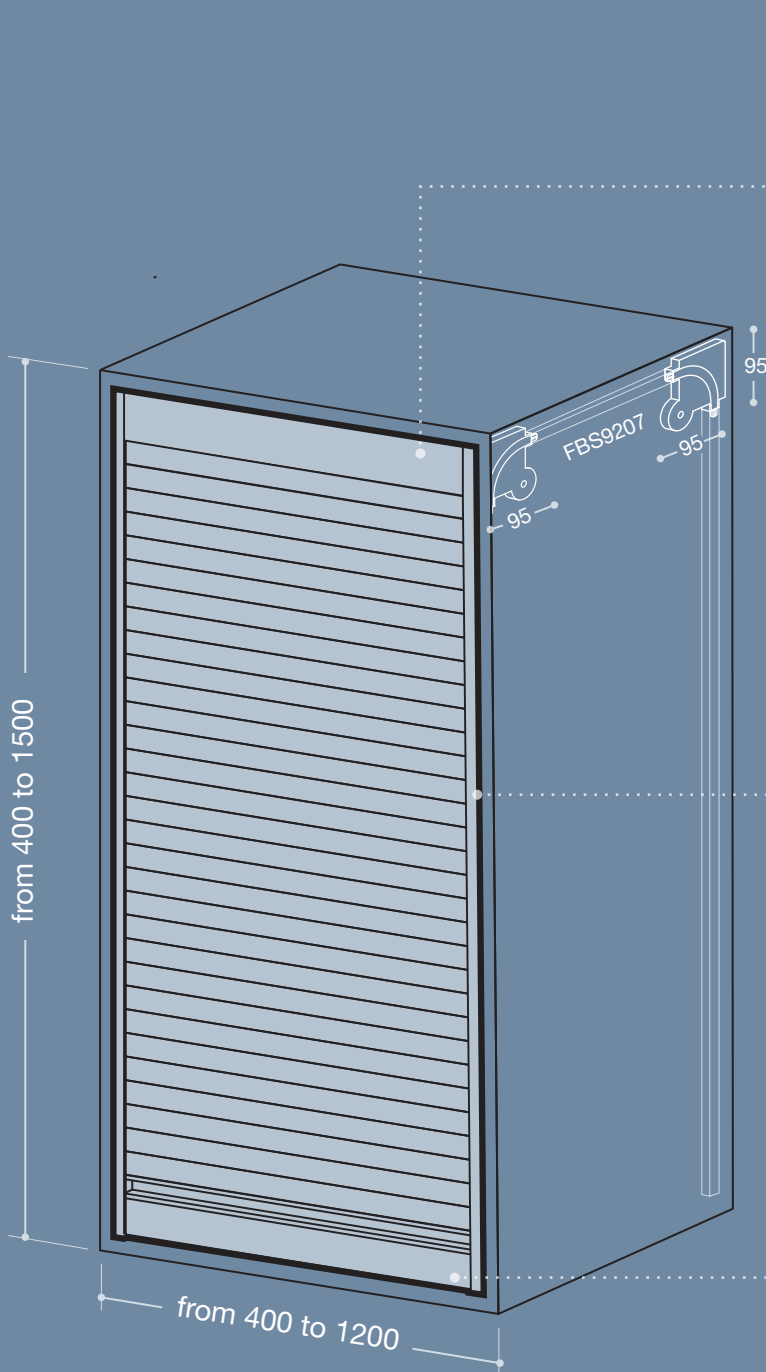
- A - brushed
- A2 - inox brushed
- B - mill finish
- B2 - mill inox
- BR2 - matt bronze
- SN - sat nat

PREVERNICIATI / PREPAINTED

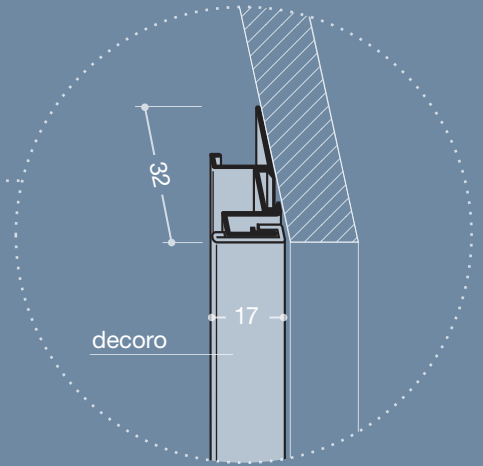
- U5 - alumatt
- U6 - inox
- M3 - white
- M4 - matt white
- L2 - matt black
- MO01 - mahogany
- FR01 - ash
- NC01 - walnut

Alcune varianti di dogia non sono disponibili in tutte le finiture Some type of slat are not available in all the finishing

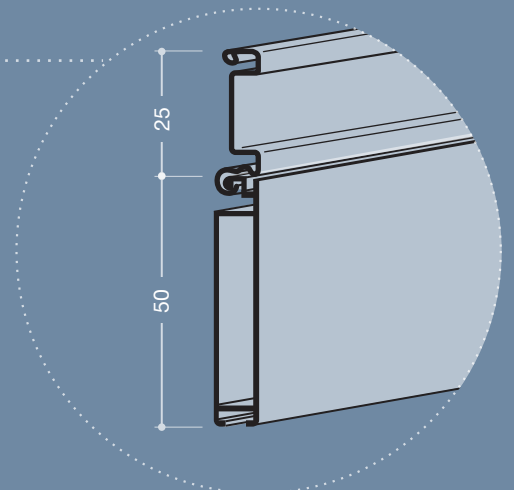
SP3 | SpecialSystem 9207 Minimal



PROFILO TOP / TOP PROFILE
cod. FBS7556



PROFILO GUIDA / GUIDE PROFILE
cod. FBS7554 + FBS2063 (decoro)



PROFILO CON MANIGLIA / PROFILE WITH HANDLE
cod. FBS7547 + FBS2010 (handle)

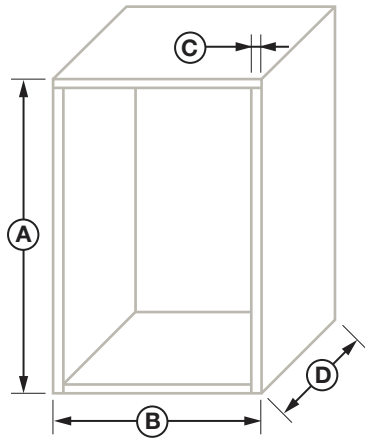
misure in mm - dimensions in mm

SPESSORE PANNELLO BOARD THICKNESS	qualsiasi / any
INGOMBRO INTERNO PISTA INTERNAL COILER DIMENSIONS	95 x 95 mm
ARRETRAMENTO RIPIANI SHELVES SETBACK	50 mm

SP3 MODULO D' ORDINE / ORDER SHEET



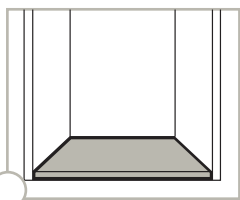
Compilare il presente modulo in tutte le sue parti per una corretta registrazione del vostro ordine.
Fill in this sheet in full for a correct processing of your order



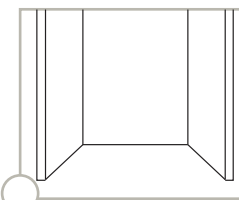
Misure mobile / Cabinet dimensions

A	B	C	D	QUANTITÀ QUANTITY

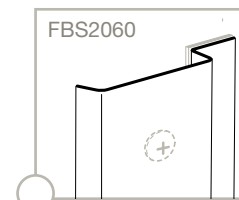
Varianti / Options



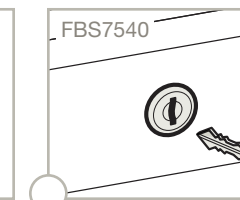
box con base
box with basement



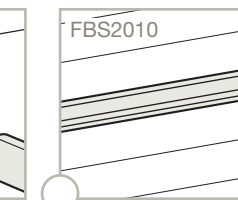
box senza base
box without basement




FBS2060
profilo copriviti
screw cover profile



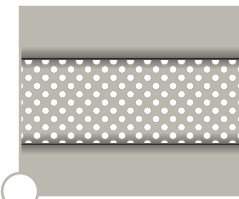
FBS7540
serratura
lock



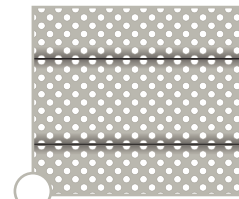
FBS2010
maniglia intermedia
intermediate handle



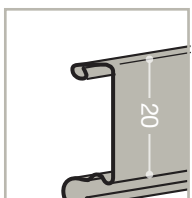
standard



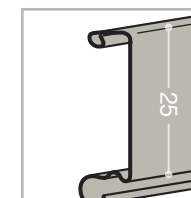
wind mix



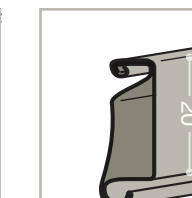
wind



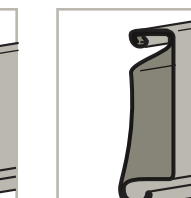
FBS2020




FBS2125



FBS2000
rinforzato reinforced



FBS2025
rinforzato reinforced



FBS2140

Finitura / Finishing

ANODIZZATI / ANODIZED

- A - brushed
- A2 - inox brushed
- B - mill finish
- B2 - mill inox
- BR2 - matt bronze
- SN - sat nat

PREVERNICIATI / PREPAINTED

- U5 - alumatt
- U6 - inox
- M3 - white
- M4 - matt white
- L2 - matt black
- MO01 - mahogany
- FR01 - ash
- NC01 - walnut

Alcune varianti di dogia non sono disponibili in tutte le finiture. Some type of slat are not available in all the finishing