



# GlassMilano MotorGlass



**materiali riciclabili**  
*recyclable materials*



**qualità**  
*quality*



**vetro temperato**  
*tempered glass*



**leggerezza**  
*lightness*



**installazione rapida**  
*fast installation*

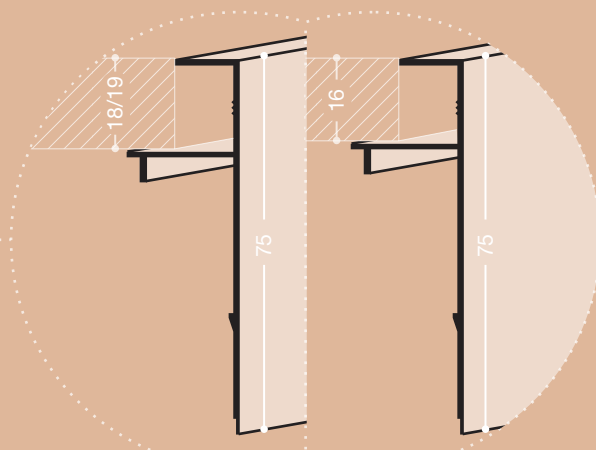
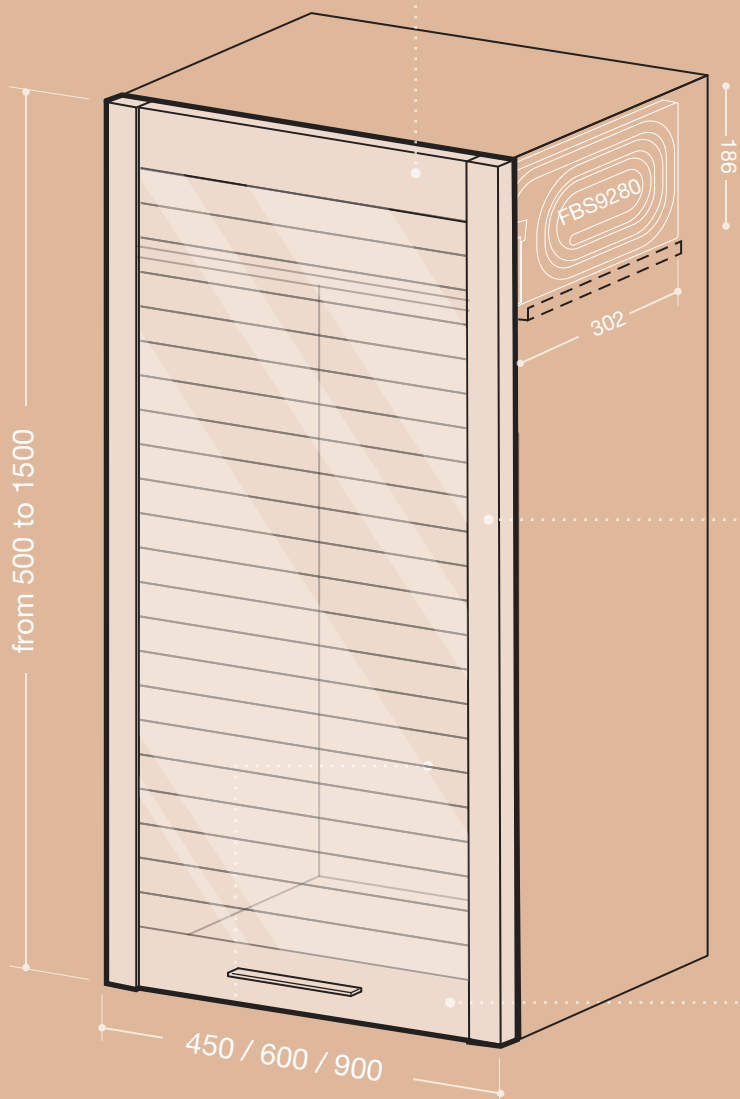


**radiocomando**  
*remote control*

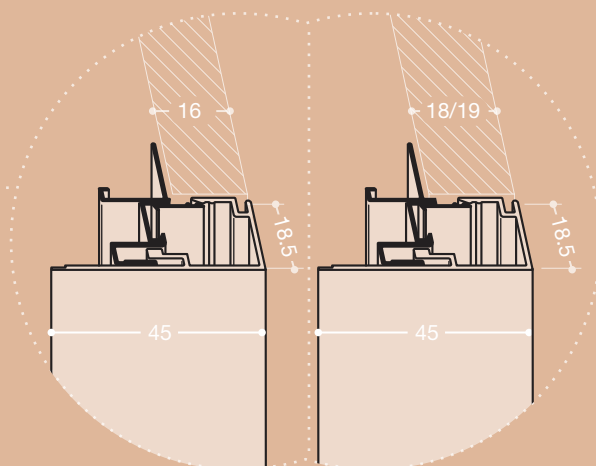
*Sistema di serrandine in vetro temperato fornito in kit pre-assemblato con compensatore di peso pre-caricato.  
Tempered glass tambour door system supplied in pre-assembled kit with pre-charged weight compensator.*

GLASSMILANO

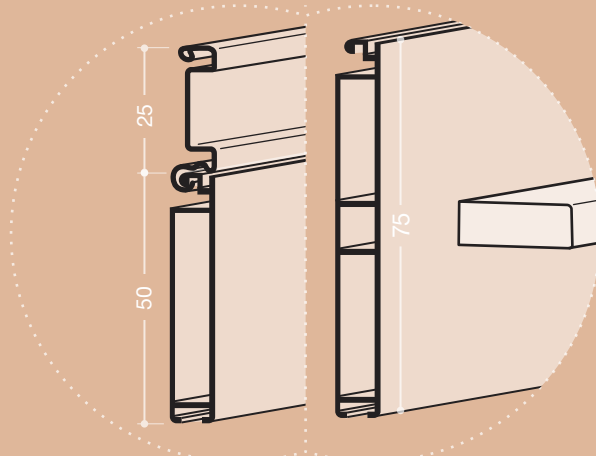
# GMI | GlassMilano



**PROFILO TOP / TOP PROFILE**  
 cod. FBS7518 ( pannelli da 18 - 19 mm )  
 cod. FBS7515 ( pannelli da 16 mm )



**PROFILO GUIDA / GUIDE PROFILE**  
 cod. FBS7558 + FBS7555 ( decoro ) ( pannelli da 18 - 19 mm )  
 cod. FBS7551 + FBS7555 ( decoro ) ( pannelli da 16 mm )

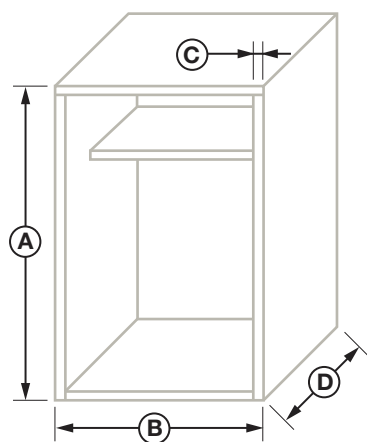


**PROFILO CON MANIGLIA / PROFILE WITH HANDLE**  
 cod. FBS7547 + FBS2010 ( handle )  
 cod. FBS7512 + fbs7591 ( handle )

misure in mm - dimensions in mm

SPESSORE PANNELLO BOARD THICKNESS	16 / 18 / 19 mm
INGOMBRO INTERNO PISTA INTERNAL COILER DIMENSIONS	302 x 186 mm
ARRETRAMENTO RIPIANI SHELVES SETBACK	50 mm
LARGHEZZE DISPONIBILI AVAILABLE WIDTHS	450 - 600 - 900 mm
<i>misure fuori standard su richiesta non-standard dimensions upon request</i>	

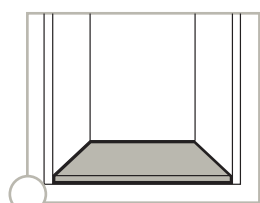
Compilare il presente modulo in tutte le sue parti per una corretta registrazione del vostro ordine.  
Fill in this sheet in full for a correct processing of your order



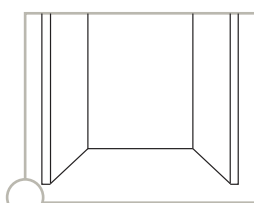
## Misure mobile / Cabinet dimensions

A	B	C	D	QUANTITÀ QUANTITY

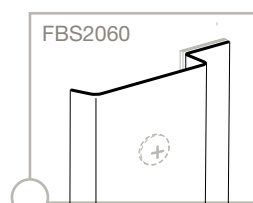
## Varianti / Options



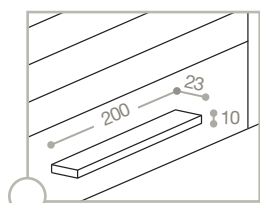
**box con base**  
box with basement



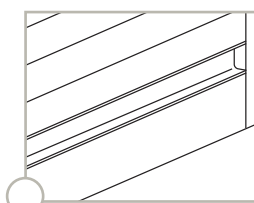
**box senza base**  
box without basement



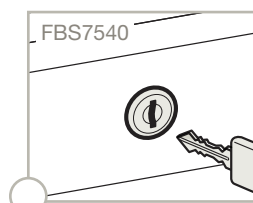
**profilo copriviti**  
screw cover profile



**maniglia / handle**  
FBS7591

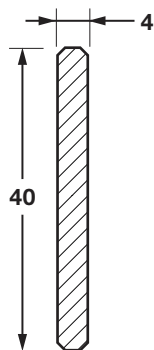


**maniglia / handle**  
FBS2010



**serratura / lock**  
solo con /only with  
FBS 7547 + FBS2010

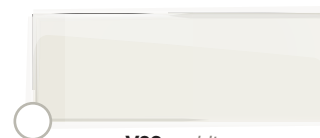
## Finitura doghe / Slats finishing



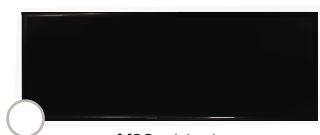
V00 - clear



V01 - Acid etched



V02 - white



V03 - black



V04 - Cappuccino

## Finitura decori / Decorative profiles finishing

ANODIZZATI / ANODIZED



A - brushed



SN - sat nat



A2 - inox brushed

PREVERNICIATI / PREPAINTED



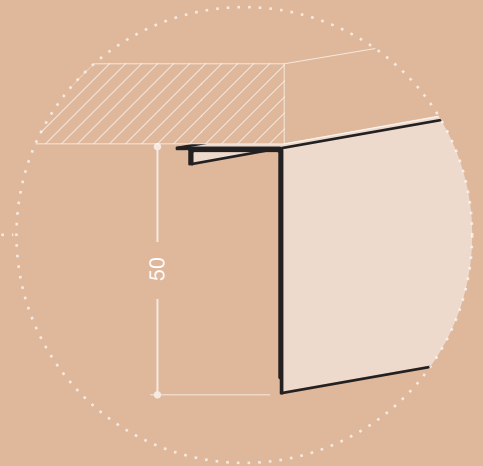
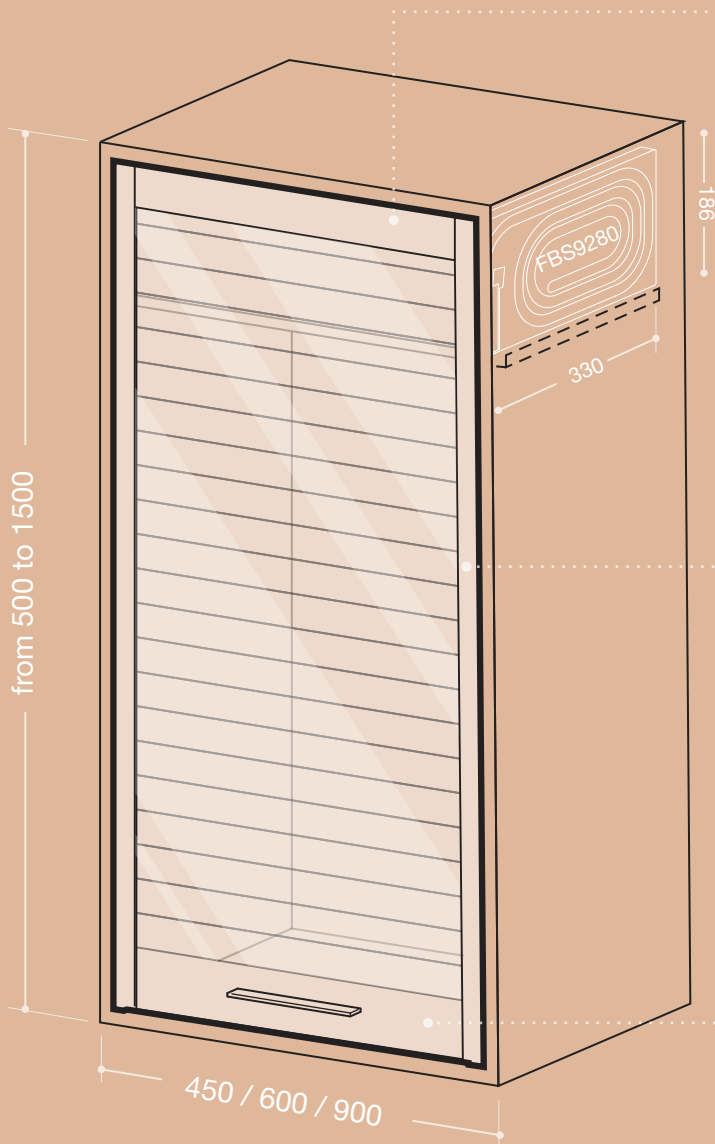
M3 - white



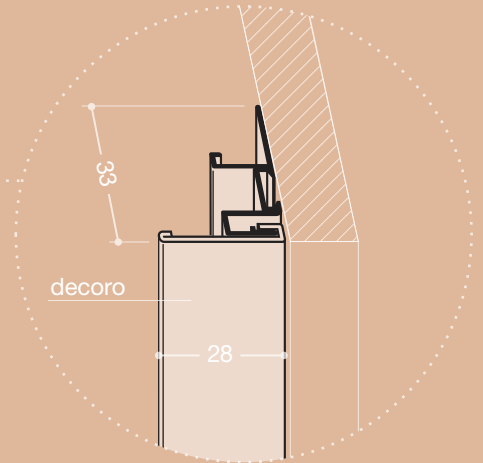
L1 - polish black

GLASSMILANO

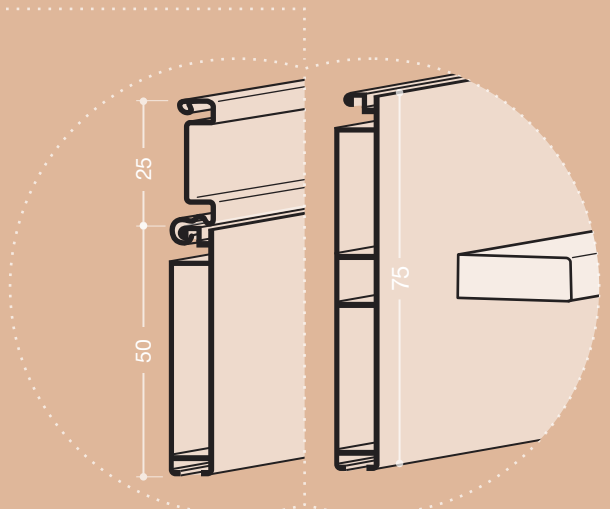
# GM2 | GlassMilano Minimal



PROFILO TOP / TOP PROFILE  
cod. FBS7556



PROFILO GUIDA / GUIDE PROFILE  
cod. FBS7554 - decoro cod. FBS2062



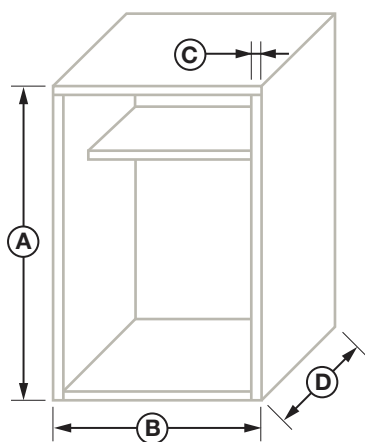
PROFILO CON MANIGLIA / PROFILE WITH HANDLE  
cod. FBS7547 + FBS2010 ( handle )  
cod. FBS7512 + fbs7591 ( handle )

misure in mm - dimensions in mm

SPESSORE PANNELLO BOARD THICKNESS	16 / 18 / 19 mm
INGOMBRO INTERNO PISTA INTERNAL COILER DIMENSIONS	330 x 186 mm
ARRETRAMENTO RIPIANI SHELVES SETBACK	50 mm
LARGHEZZE DISPONIBILI AVAILABLE WIDTHS	450 - 600 - 900 mm

*misure fuori standard su richiesta  
non-standard dimensions upon request*

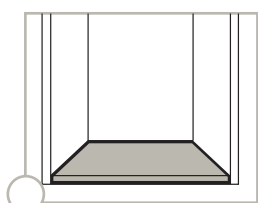
Compilare il presente modulo in tutte le sue parti per una corretta registrazione del vostro ordine.  
Fill in this sheet in full for a correct processing of your order



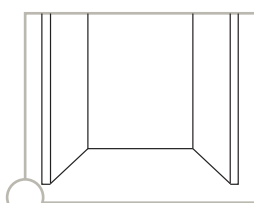
## Misure mobile / Cabinet dimensions

A	B	C	D	QUANTITÀ QUANTITY

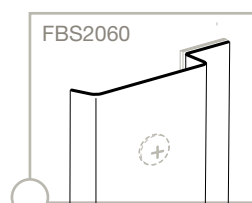
## Varianti / Options



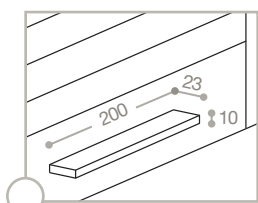
**box con base**  
box with basement



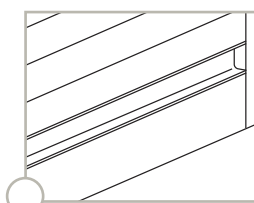
**box senza base**  
box without basement



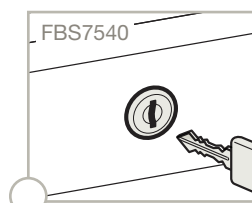
**profilo copriviti**  
screw cover profile



**maniglia / handle**  
FBS7591

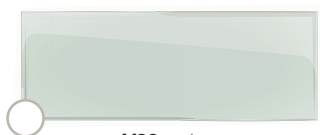
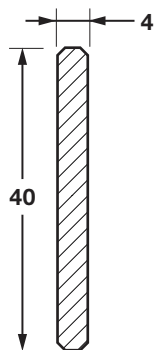


**maniglia / handle**  
FBS2010



**serratura / lock**  
solo con /only with  
FBS 7547 + FBS2010

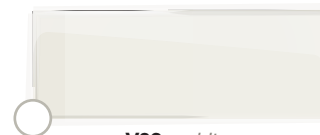
## Finitura doghe / Slats finishing



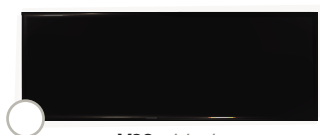
V00 - clear



V01 - Acid etched



V02 - white



V03 - black



V04 - Cappuccino

## Finitura decori / Decorative profiles finishing

ANODIZZATI / ANODIZED



A - brushed



SN - sat nat



A2 - inox brushed

PREVERNICIATI / PREPAINTED



M3 - white



L1 - polish black